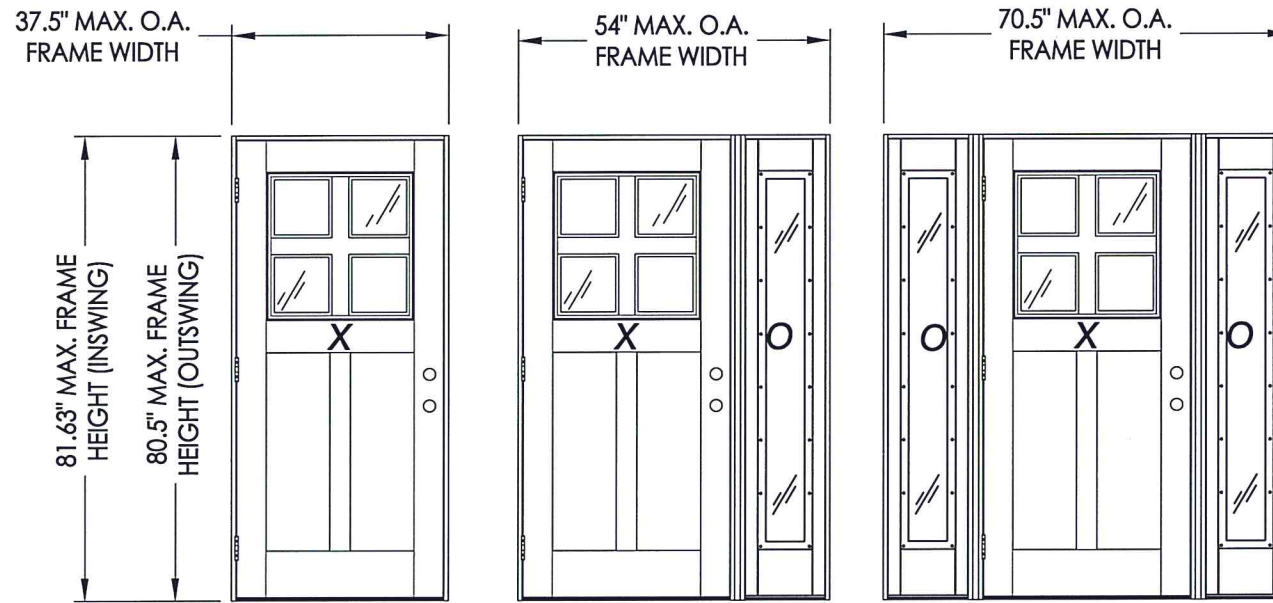


# "Lighthouse" GLAZED FIBERGLASS DOOR

w/ or w/out SIDELITE(S)  
"NON-IMPACT"  
INSWING / OUTSWING

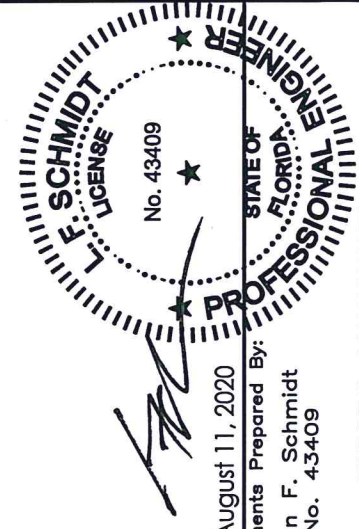
**GENERAL NOTES**

1. This product has been evaluated and is in compliance with the 7th Edition (2020) Florida Building Code (FBC) structural requirements excluding the "High Velocity Hurricane Zone" (HVHZ).
2. Product anchors shall be as listed and spaced as shown on details. Anchor embedment to base material shall be beyond wall dressing or stucco.
3. When used in areas requiring wind borne debris protection, this product is required to be protected with an impact resistant covering that complies with FBC Sections 1609.1.2 & R301.2.1.2.
4. For 2x stud framing construction, anchoring of these units shall be the same as that shown for 2x buck masonry construction.
5. Site conditions that deviate from the details of this drawing require further engineering analysis by a licensed engineer or registered architect.



| CONFIGURATION | MAX. FRAME DIMENSION | DESIGN PRESSURE (PSF) INSWING |          | DESIGN PRESSURE (PSF) OUTSWING |          |
|---------------|----------------------|-------------------------------|----------|--------------------------------|----------|
|               |                      | POSITIVE                      | NEGATIVE | POSITIVE                       | NEGATIVE |
| X             | 37.5" x 81.63"       | +55.0                         | -60.0    | +55.0                          | -55.0    |
| OX/XO         | 54.0" x 81.63"       | +55.0                         | -60.0    | +55.0                          | -55.0    |
| OXO           | 70.5" x 81.63"       | +55.0                         | -60.0    | +55.0                          | -55.0    |

| TABLE OF CONTENTS |  |
|-------------------|--|
| SHEET#            | DESCRIPTION  |
| 1                 | Typical elevations, design pressures & general notes       |
| 2                 | Door panel details   |
| 3                 | Sidelite panel details                                     |
| 4                 | Elevations   |
| 5                 | Horizontal and vertical cross sections (2x buck)           |
| 6                 | Horizontal and vertical cross sections (1x buck)           |
| 7                 | Horizontal and vertical cross sections (Direct to Masonry) |
| 8                 | Horizontal cross sections                                  |
| 9                 | Vertical cross sections                                    |
| 10                | Buck anchoring and frame anchoring (X)                     |
| 11                | Buck anchoring (OX/XO & OXO)                               |
| 12                | Frame anchoring (OX/XO & OXO)                              |
| 13                | Components   |
| 14                | Bill of materials  |

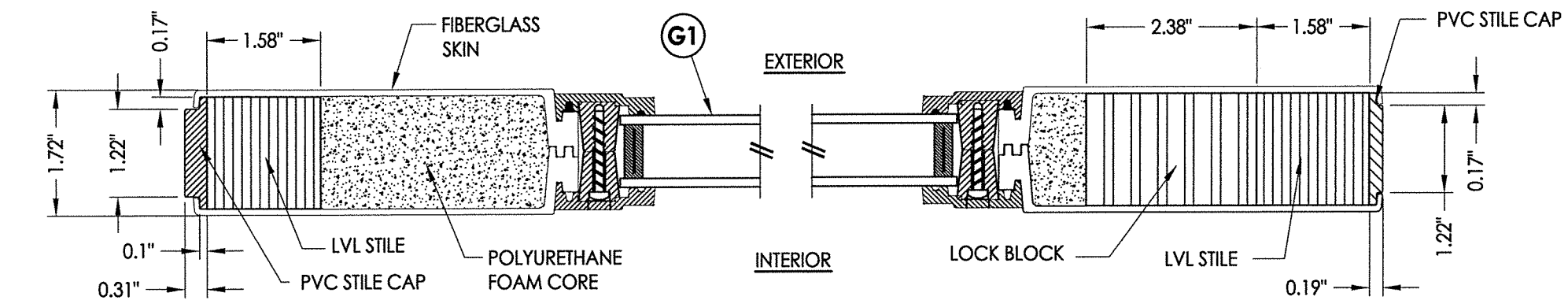


August 11, 2020  
 Documents Prepared By: Lyndon F. Schmidt  
 P.E. No. 43409  
 R.W. BUILDING CONSULTANTS, INC.  
 P.O. Box 230, Valrico, FL 33595  
 Phone No.: 813.659.9197  
 FBPE Registry No. 9813

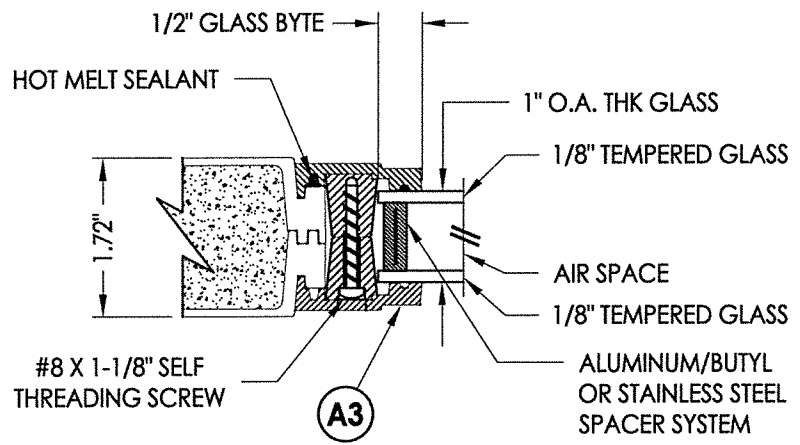
|                   |   |
|-------------------|---|
| PRODUCT:          | TRINITY GLASS INT'L                                 |
| PART OR ASSEMBLY: | TYPICAL ELEVATION, DESIGN PRESSURES & GENERAL NOTES |
| DATE:             | 12/8/17   |
| SCALE:            | N.T.S.  |
| DWG. BY:          | JK  |
| CHK. BY:          | LFS   |
| DRAWING NO.:      | FL-25575.1  |
| SHEET             | 1 OF 14   |

\\dc01rvbc\Clients\Trinity Glass PERMANENT\A - Florida Product Approvals\FL - 25575\C. Drawings\FL 25575 (2020)\FL-25575.1-3.dwg

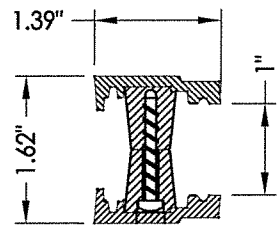
\\dc01\wbc\clients\Trinity Glass PERMANENTVA - Florida Product Approvals\FL - 25575\C. Drawings\FL 25575.1-3.dwg



**1 HORIZONTAL CROSS SECTION**

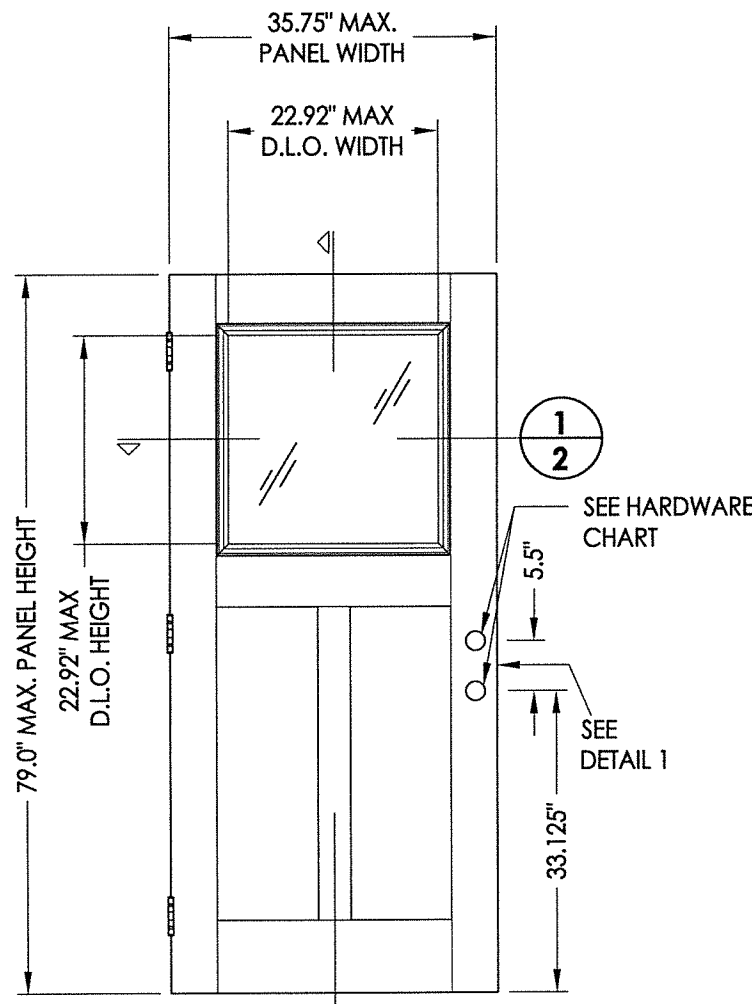


**G1 GLAZING DETAIL**



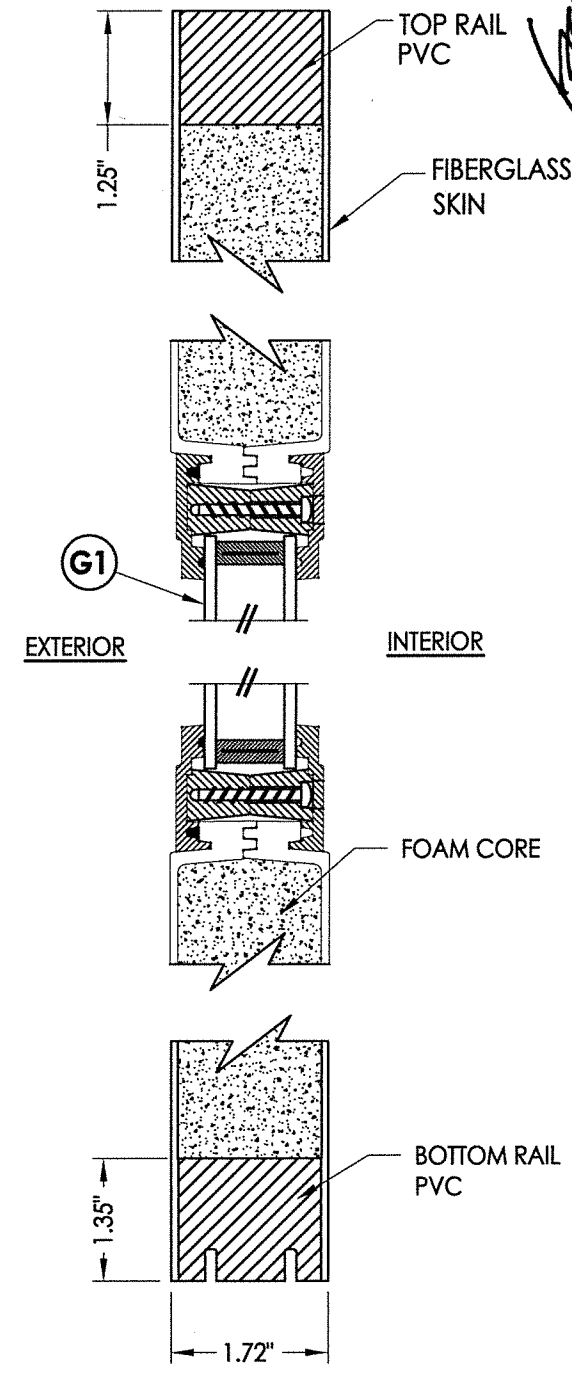
**A3 FRAME FIBERGLASS**

| HARDWARE CHART |                                  |
|----------------|----------------------------------|
| MANUFACTURER   | MODEL                            |
| KWIKSET        | KNOB: SIGNATURE SERIES           |
|                | DEADBOLT: SIGNATURE SERIES (980) |
| SCHLAGE        | KNOB: F SERIES                   |
|                | DEADBOLT: B60 SERIES             |

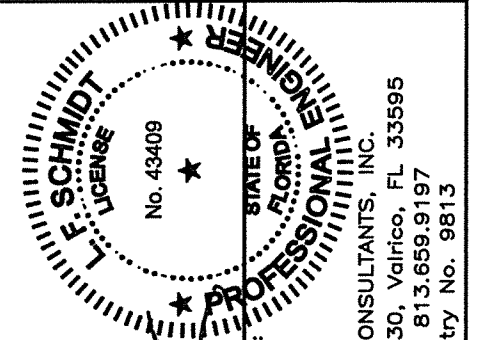


**40 GLAZED DOOR LIGHTHOUSE**

DOOR SKIN: 0.079" MIN. THK. FIBERGLASS  
CORE MATERIAL: POLYURETHANE FOAM



**2 VERTICAL CROSS SECTION**

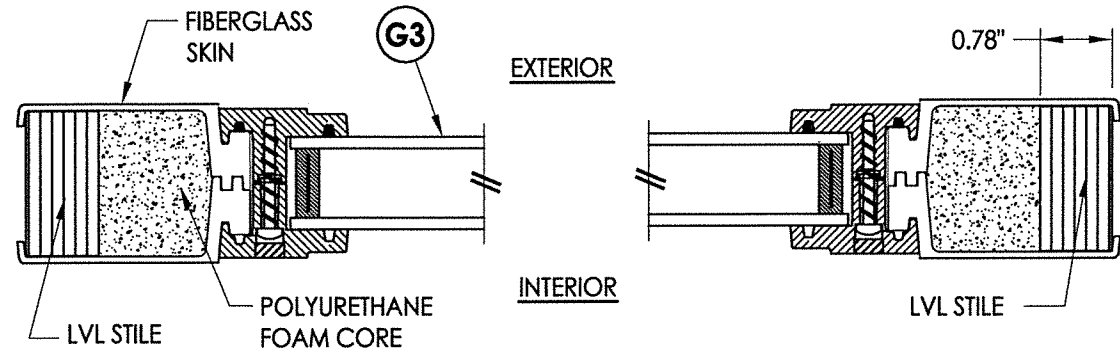


August 11, 2020  
Documents Prepared By:  
Lyndon F. Schmidt  
P.E. No. 43409  
RW BUILDING CONSULTANTS, INC.  
P.O. Box 230, Valrico, FL 33595  
Phone No.: 813.659.9197  
FBPE Registry No. 9813

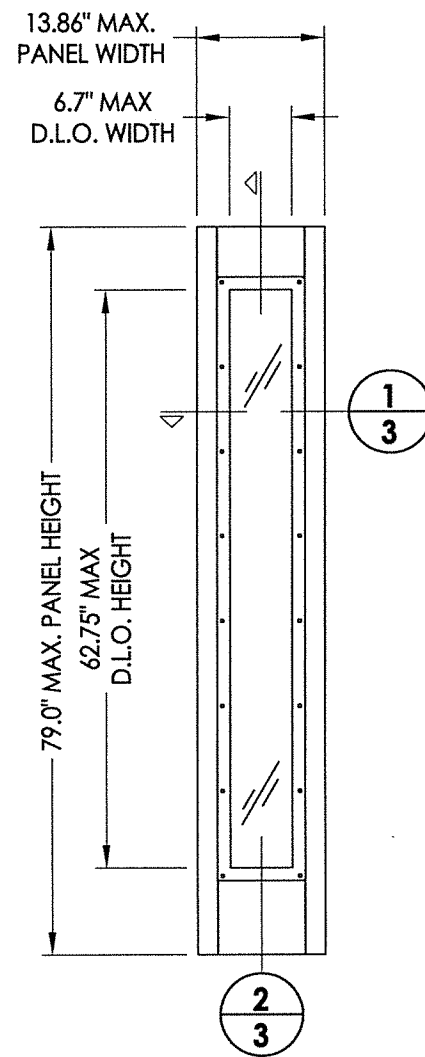
|                   |                     |     |
|-------------------|---------------------|-----|
| PRODUCT:          | TRINITY GLASS INT'L |     |
| PART OR ASSEMBLY: | DOOR PANEL DETAILS  |     |
| NO.               | DATE                | BY  |
| 2                 | 8/11/20             | DAC |
| 1                 | 2/04/20             | RW  |
|                   |                     | BY  |

|              |            |
|--------------|------------|
| DATE:        | 12/8/17    |
| SCALE:       | N.T.S.     |
| DWG. BY:     | JK         |
| CHK. BY:     | LFS        |
| DRAWING NO.: | FL-25575.1 |
| SHEET        | 2 OF 14    |

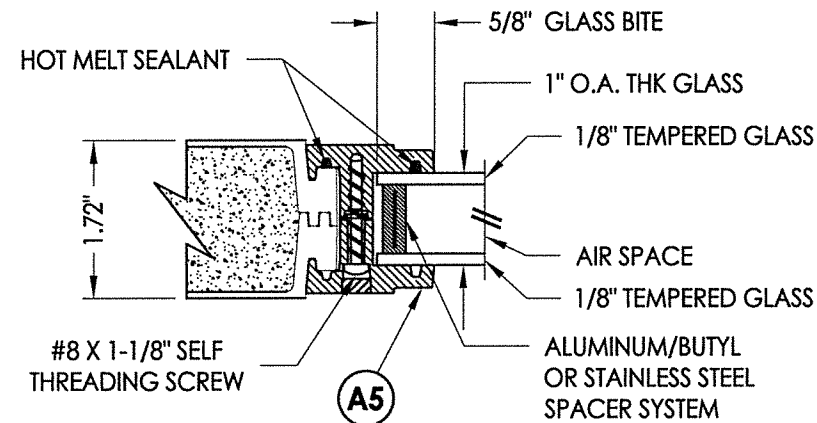
\\dc01\pbc\Clients\Trinity Glass PERMANENTVA - Florida Product Approvals\FL - 25575\C. Drawings\FL 25575 (2020)\FL-25575.1-3.dwg



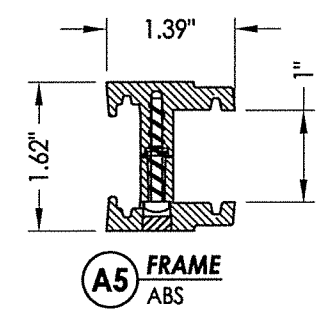
**1**  
**3** HORIZONTAL CROSS SECTION



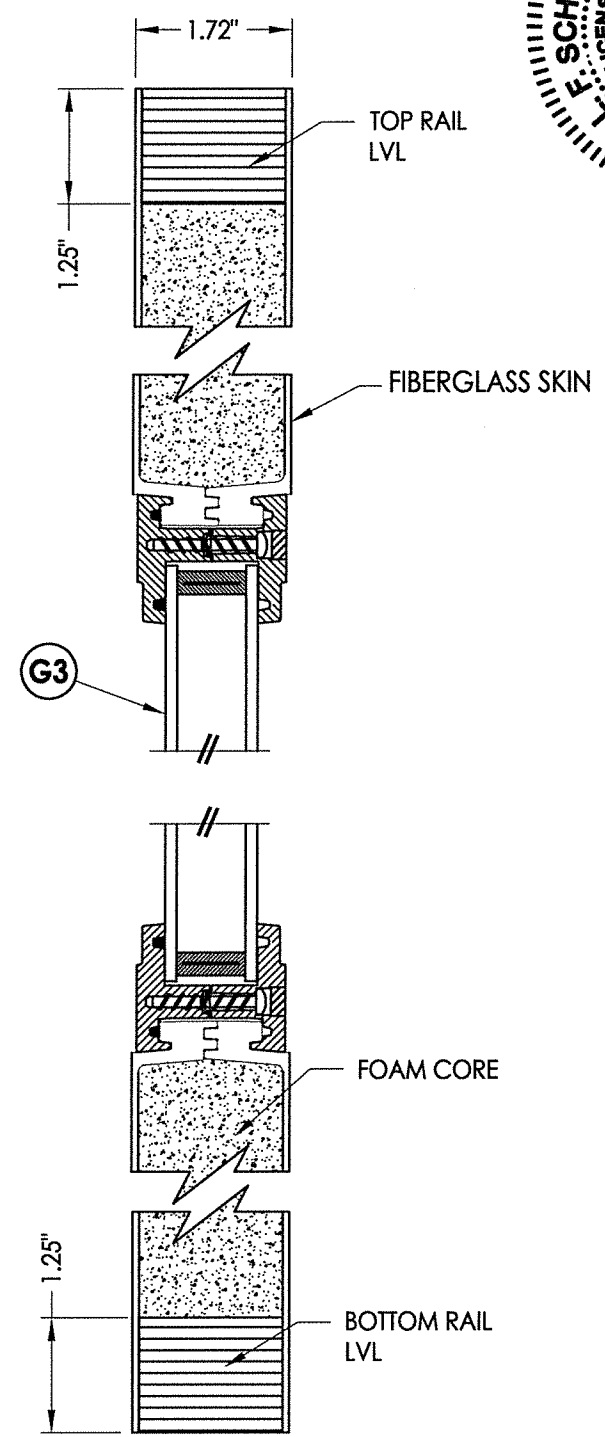
**70** SIDELITE PANEL



**G3** GLAZING DETAIL



**A5** FRAME  
ABS



**2**  
**3** VERTICAL CROSS SECTION

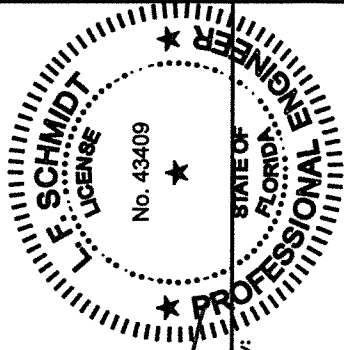
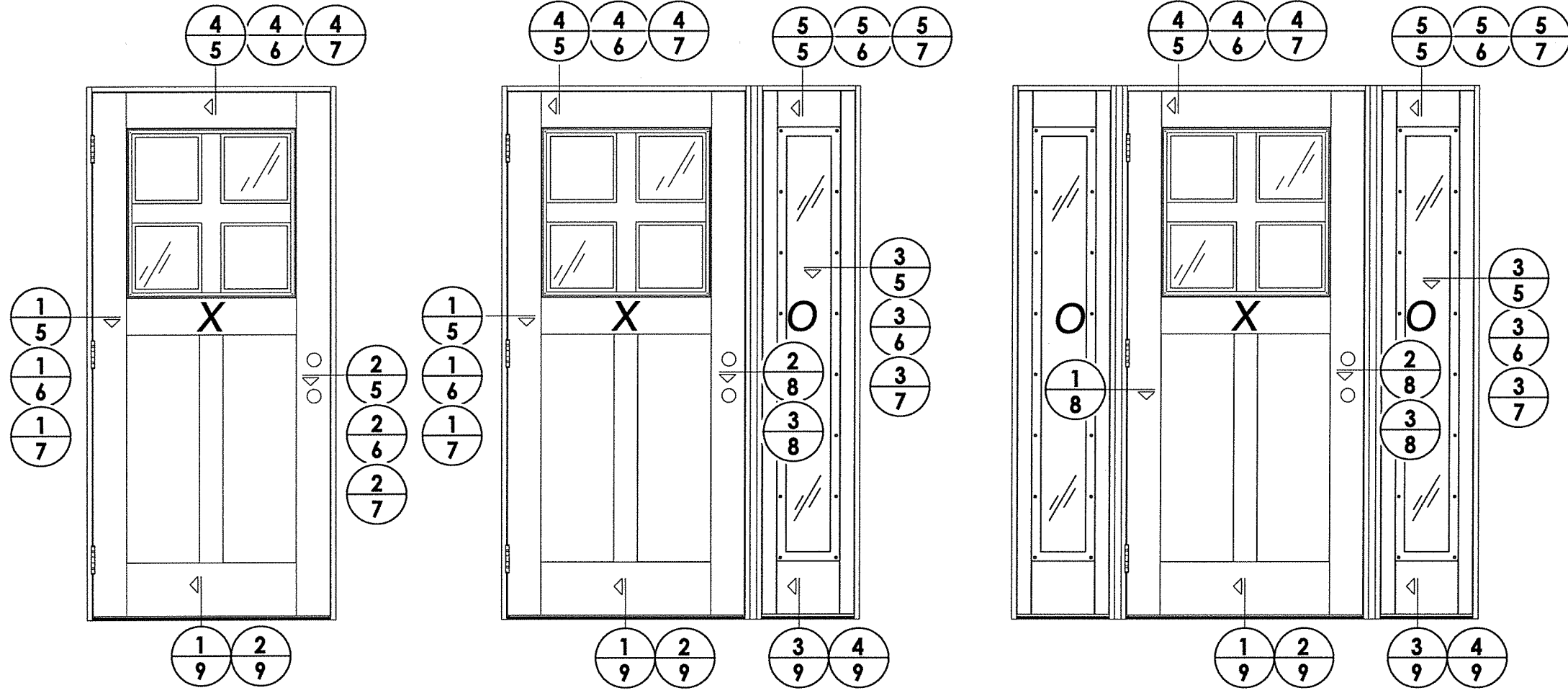
August 11, 2020  
 Documents Prepared By:  
 Lyndon F. Schmidt  
 P.E. No. 43409

**RW** BUILDING CONSULTANTS, INC.  
 P.O. Box 230, Valrico, FL 33595  
 Phone No.: 813.659.9197  
 FBPE Registry No. 9813

|  |            |
|--|------------|
| PRODUCT: TRINITY GLASS INT'L             |            |
| PART OR ASSEMBLY: SIDELITE PANEL DETAILS |            |
| NO.                                      | DATE       |
| 2  | 8/11/20    |
| 1  | 2/04/20    |
| REVISIONS                                |            |
| DATE:                                    | 12/8/17    |
| SCALE:                                   | N.T.S.     |
| DWG. BY:                                 | JK         |
| CHK. BY:                                 | LFS        |
| DRAWING NO.:                             | FL-25575.1 |
| SHEET                                    | 3 OF 14    |

DOOR SKIN: 0.079" MIN. THK. FIBERGLASS  
CORE MATERIAL: POLYURETHANE FOAM





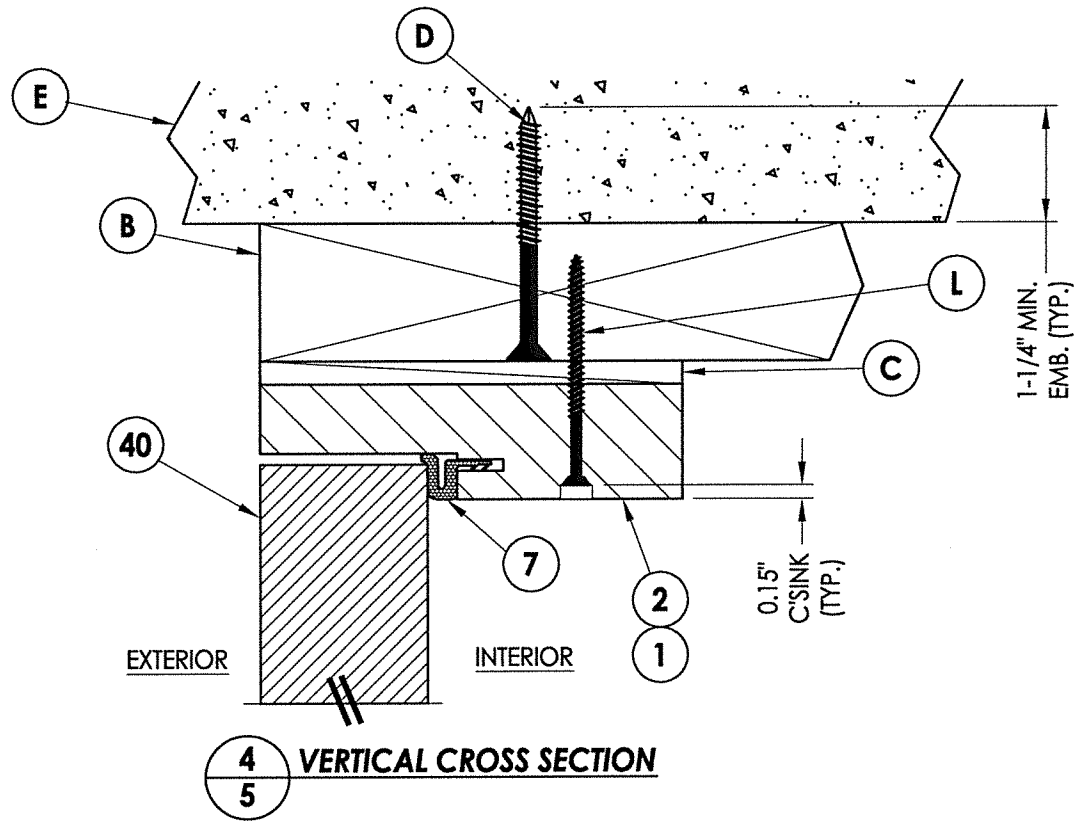
August 11, 2020  
 Documents Prepared By:  
 Lyndon F. Schmidt  
 P.E. No. 43409

*R.W.* BUILDING CONSULTANTS, INC.  
 P.O. Box 230, Valrico, FL 33595  
 Phone No.: 813.659.9197  
 FBPE Registry No. 9813

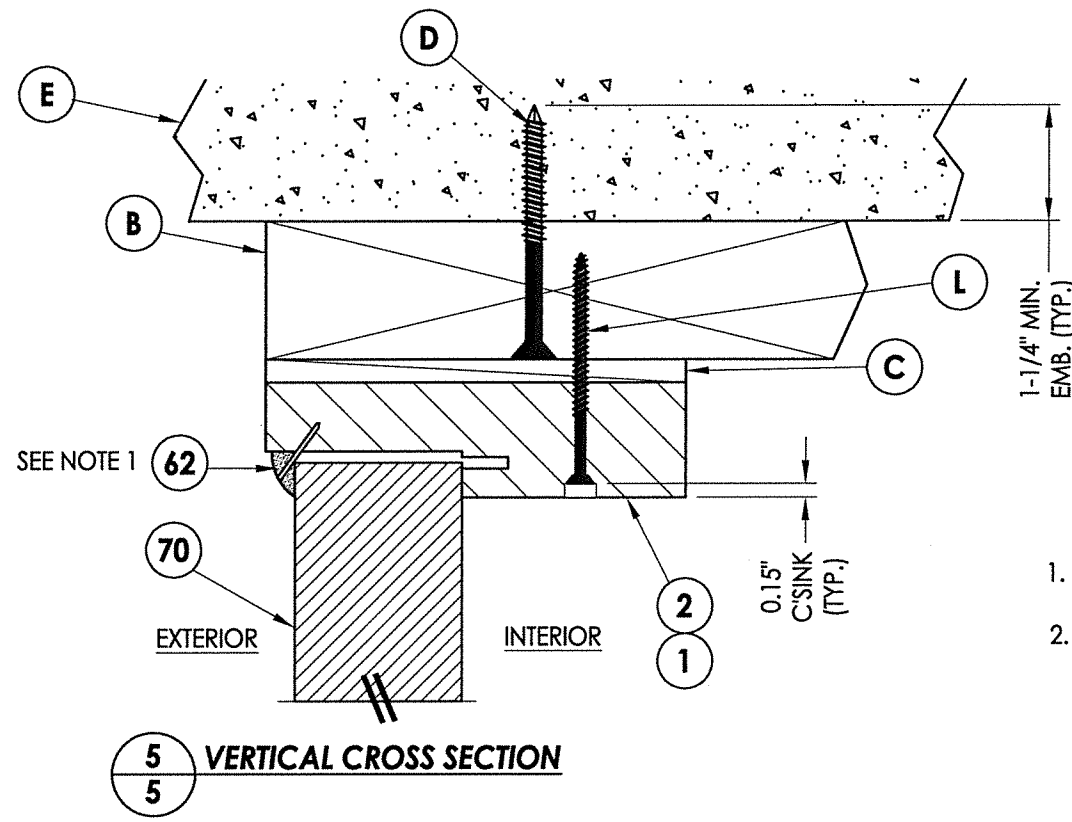
|                              |         |
|------------------------------|---------|
| PRODUCT: TRINITY GLASS INT'L |         |
| PART OR ASSEMBLY: ELEVATIONS |         |
| NO.                          | DATE    |
| 2                            | 8/11/20 |
| 1                            | 2/04/20 |
| REVISIONS                    |         |
| DAC                          | FBC     |
| RW                           | BY      |

DATE: 12/8/17  
 SCALE: N.T.S.  
 DWG. BY: JK  
 CHK. BY: LFS  
 DRAWING NO.: FL-25575.1  
 SHEET 4 OF 14

\\dc01\rbcc\clients\Trinity Glass PERMANENT\A - Florida Product Approvals\FL - 25575\C - Drawings\FL 25575 (2020)\FL-25575.1-3.dwg



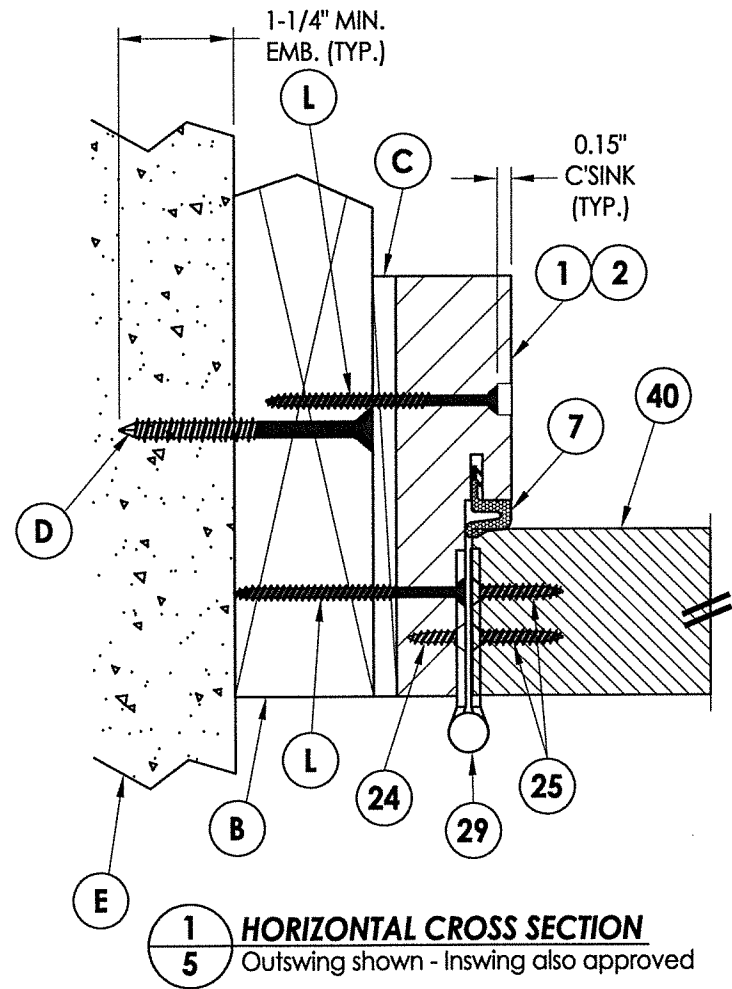
**4** VERTICAL CROSS SECTION  
**5**



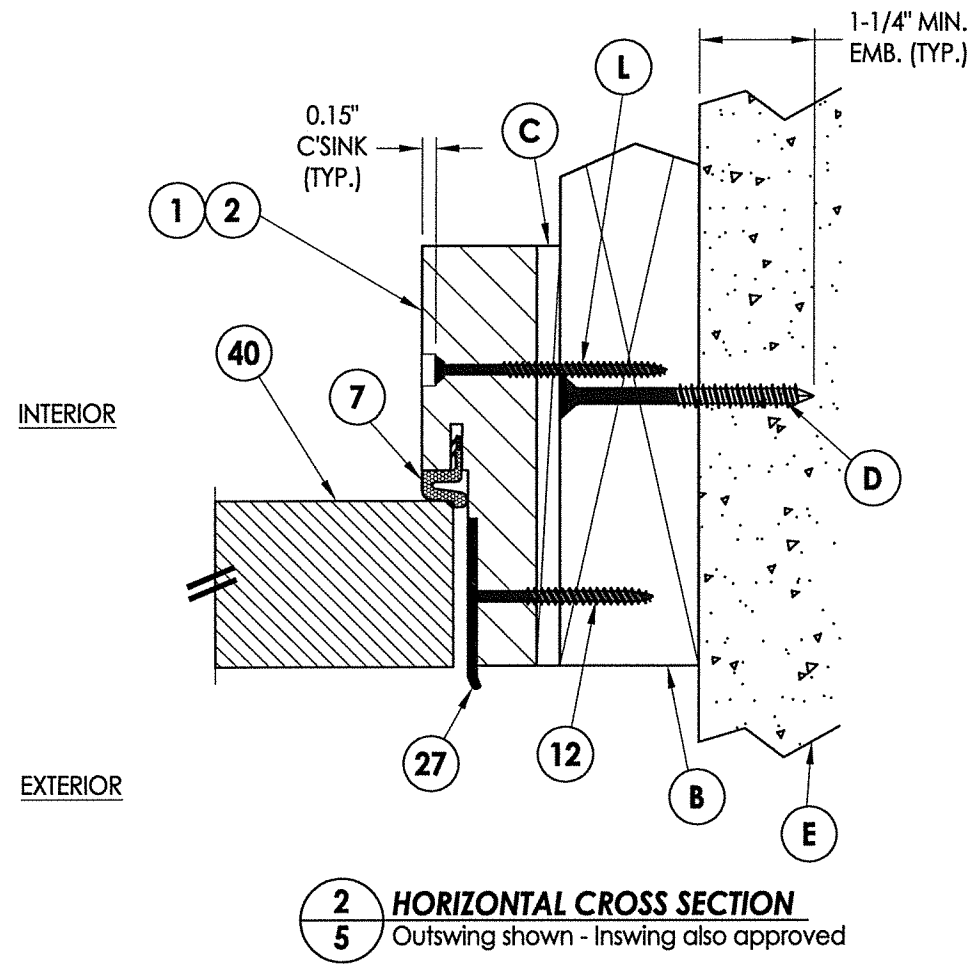
**5** VERTICAL CROSS SECTION  
**5**

NOTE:

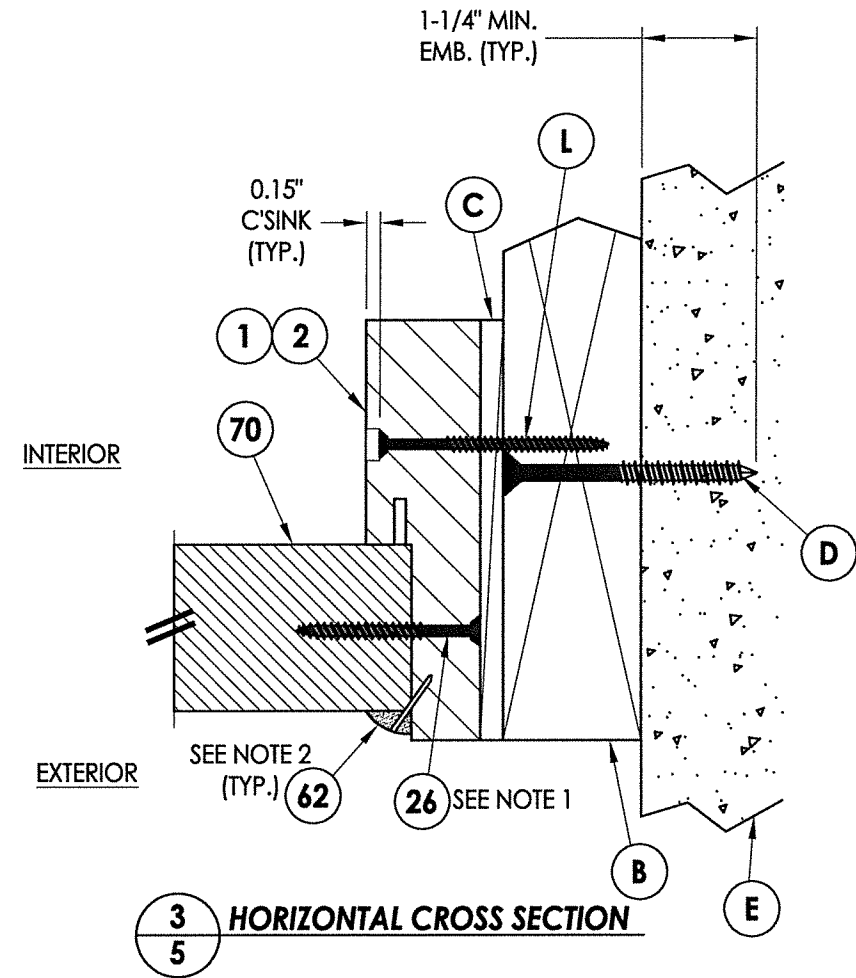
- Item #26 located 6" from each end and 3 more equally spaced (5 total).
- PVC Quarter round attached with 18 GA. brad nail 3" from each end then 8" on center thereafter.



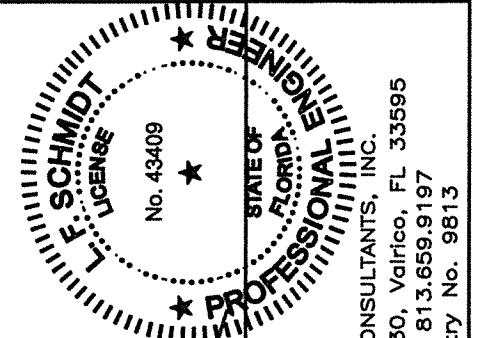
**1** HORIZONTAL CROSS SECTION  
**5** Outswing shown - Inswing also approved



**2** HORIZONTAL CROSS SECTION  
**5** Outswing shown - Inswing also approved



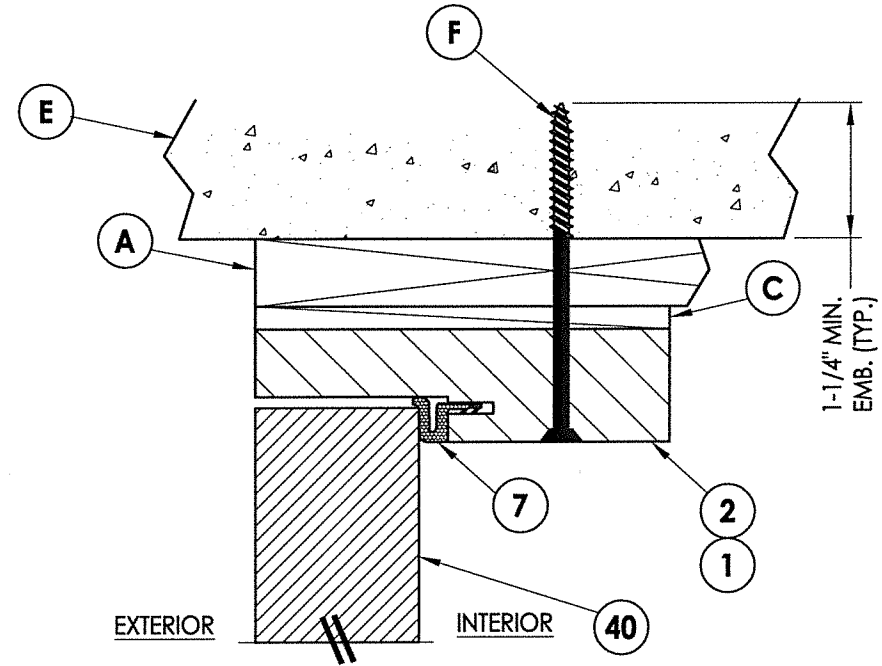
**3** HORIZONTAL CROSS SECTION  
**5**



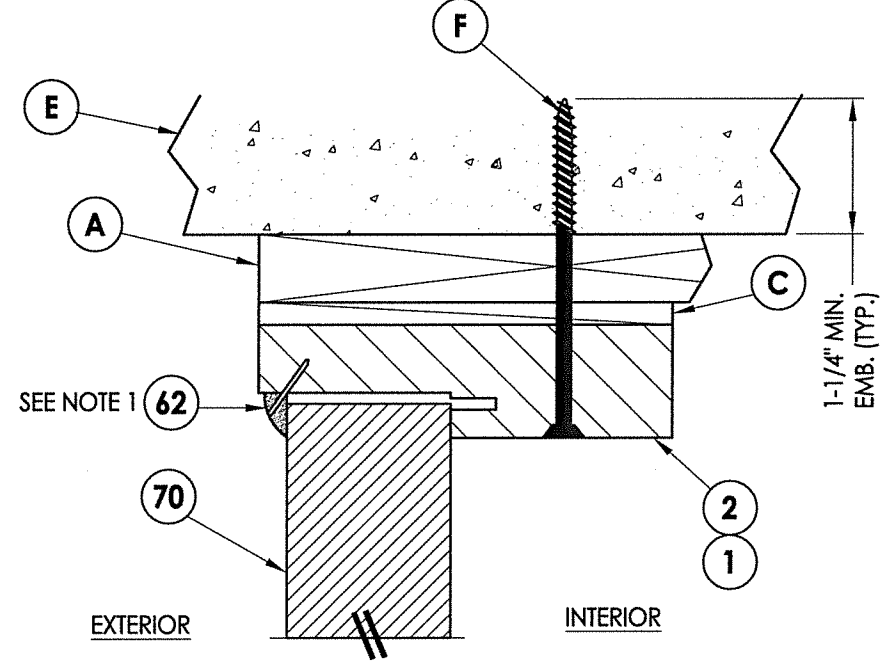
August 11, 2020  
 Documents Prepared By:  
 Lyndon F. Schmidt  
 P.E., No. 43409  
 R.W. BUILDING CONSULTANTS, INC.  
 P.O. Box 230, Valrico, FL 33595  
 Phone No.: 813.659.9197  
 FBPE Registry No. 9813

|                         |         |  |     |
|-------------------------|---------|--|-----|
| PRODUCT:                |         | TRINITY GLASS INT'L                              |     |
| PART OR ASSEMBLY:       |         | HORIZONTAL AND VERTICAL CROSS SECTIONS (2X BUCK) |     |
| NO.                     | DATE    | REVISIONS  |     |
| 2                       | 8/11/20 | UPDATE TO 7th ED. (2020)                         | FBC |
| 1                       | 2/04/20 | DEFINE MODEL DESCRIPTION                         | RW  |
|                         |         |  | BY  |
| DATE: 12/8/17           |         |  |     |
| SCALE: N.T.S.           |         |  |     |
| DWG. BY: JK             |         |  |     |
| CHK. BY: LFS            |         |  |     |
| DRAWING NO.: FL-25575.1 |         |  |     |
| SHEET 5 OF 14           |         |  |     |

\\dc01\wbc\clients\Trinity Glass Permanent\A - Florida Product Approvals\FL - 25575\C. Drawings\FL 25575 (2020)\FL-25575.1-3.dwg



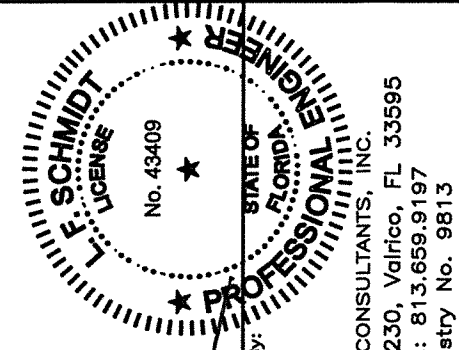
**4**  
**6** VERTICAL CROSS SECTION



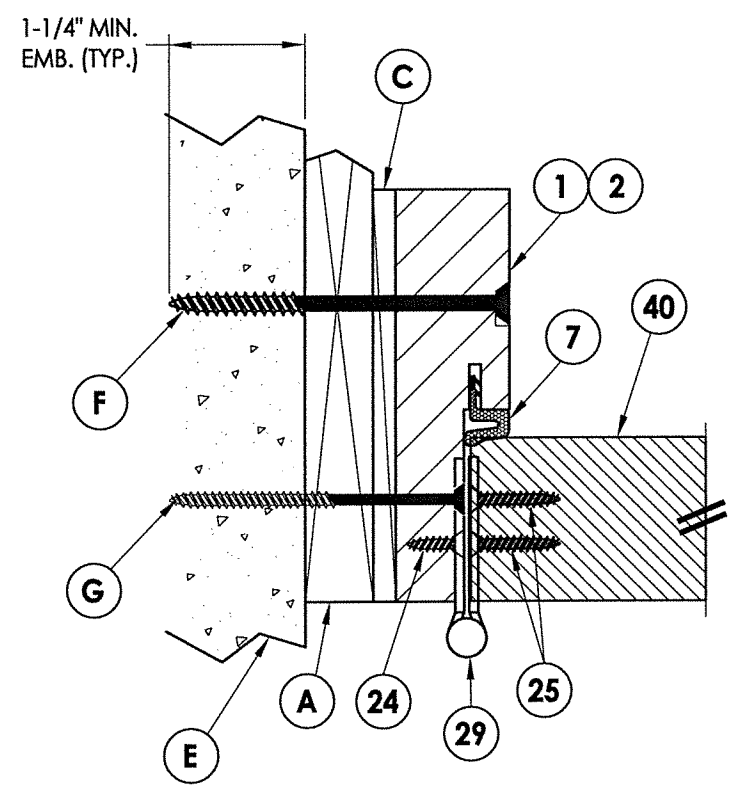
**5**  
**6** VERTICAL CROSS SECTION

**NOTE:**

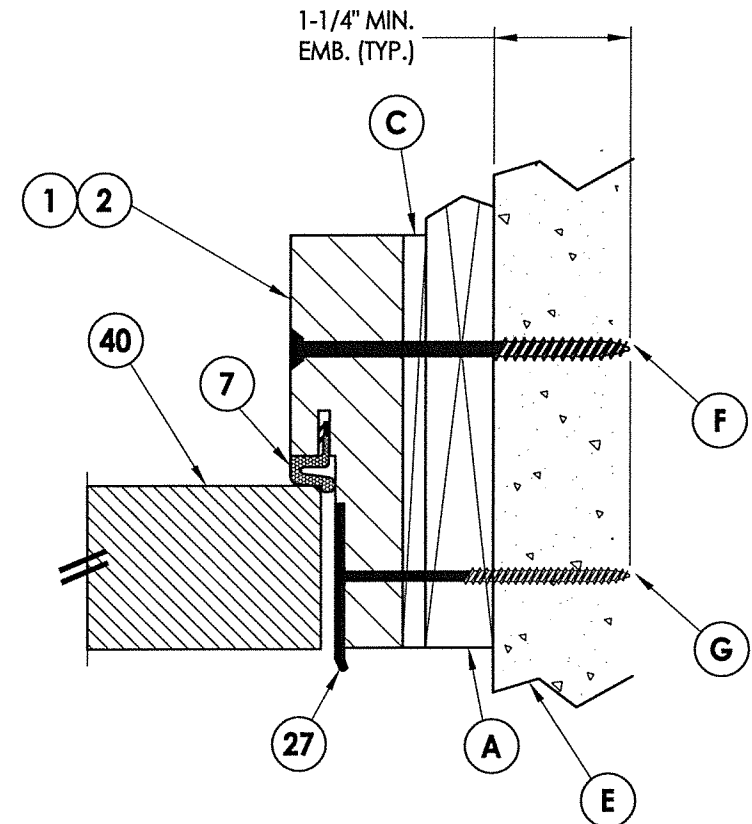
- Item #26 located 6" from each end and 3 more equally spaced (5 total).
- PVC Quarter round attached with 18 GA. brad nail 3" from each end then 8" on center thereafter.



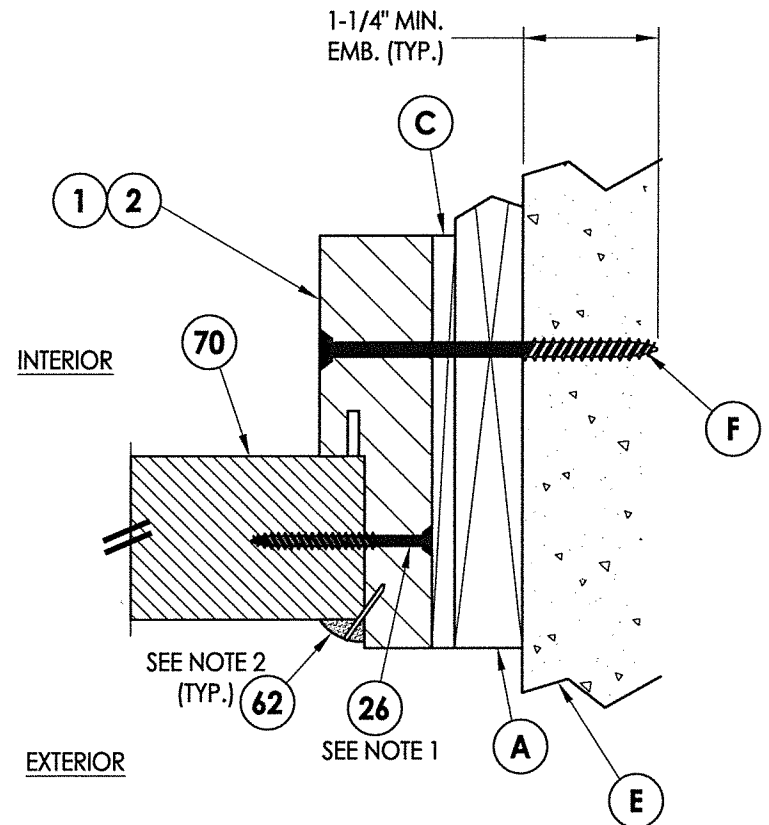
August 11, 2020  
 Documents Prepared By:  
 Lyndon F. Schmidt  
 P.E. No. 43409  
 BUILDING CONSULTANTS, INC.  
 P.O. Box 230, Valrico, FL 33595  
 Phone No.: 813.659.9197  
 FBPE Registry No. 9813



**1**  
**6** HORIZONTAL CROSS SECTION  
 Outswing shown - Inswing also approved



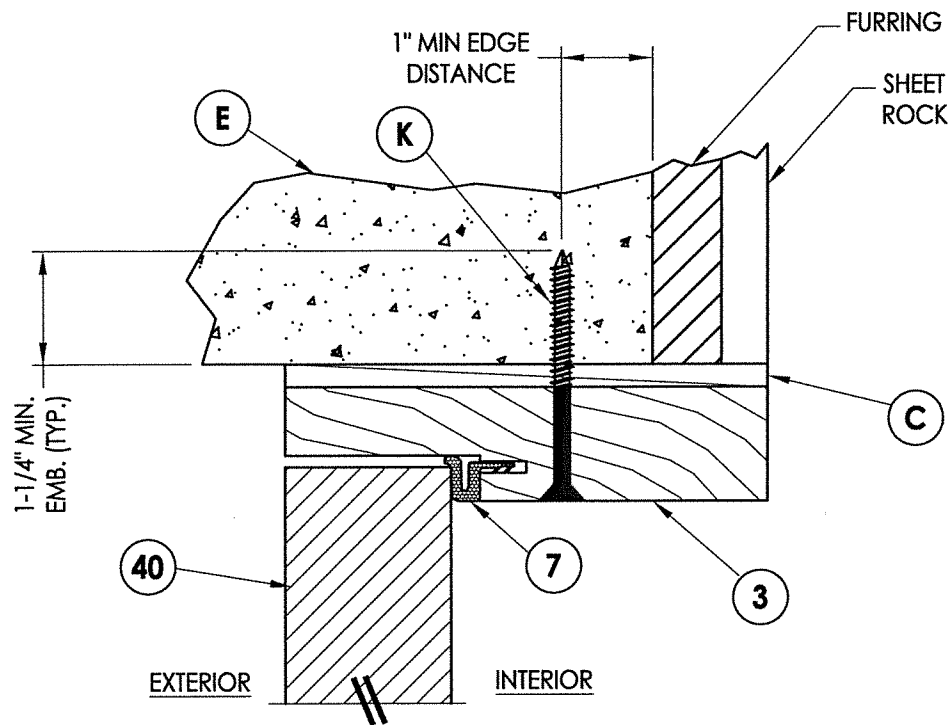
**2**  
**6** HORIZONTAL CROSS SECTION  
 Outswing shown - Inswing also approved



**3**  
**6** HORIZONTAL CROSS SECTION

|  |         |                          |     |
|--|---------|--------------------------|-----|
| PRODUCT: TRINITY GLASS INT'L                                       |         | DATE: 12/8/17            |     |
| PART OR ASSEMBLY: HORIZONTAL AND VERTICAL CROSS SECTIONS (1X BUCK) |         | SCALE: N.T.S.            |     |
| NO.  | DATE    | DESCRIPTION              | BY  |
| 2  | 8/11/20 | UPDATE TO 7th ED. (2020) | FBC |
| 1  | 2/04/20 | DEFINE MODEL DESCRIPTION | RW  |
| REVISIONS  |         |                          |     |
| DWG. BY: JK  |         | DATE: 12/8/17            |     |
| CHK. BY: LFS   |         | SCALE: N.T.S.            |     |
| DRAWING NO.: FL-25575.1  |         | SHEET 6 OF 14            |     |

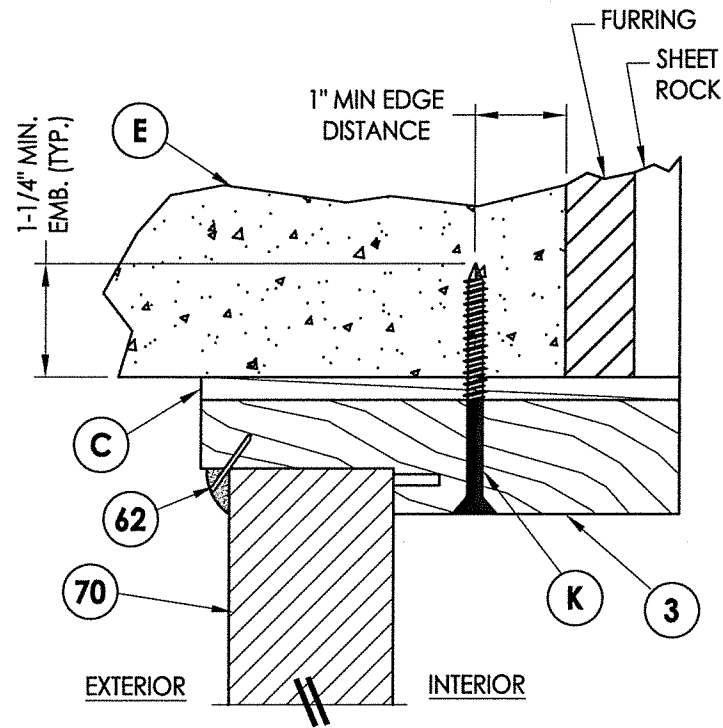
\\dc01\wbc\clients\Trinity Glass Permanent\A - Florida Product Approvals\FL - 25575\C. Drawings\FL 25575 (2020)\FL-25575.1-3.dwg



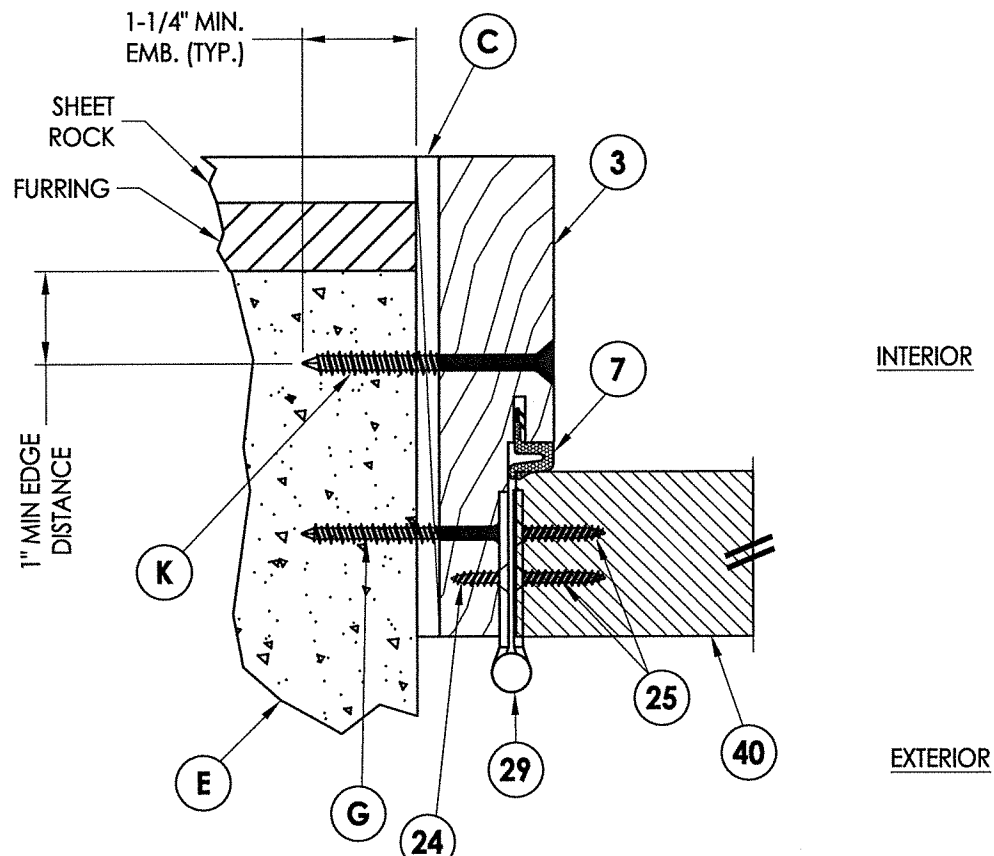
**4 VERTICAL CROSS SECTION**  
7 Outswing only

**NOTE:**

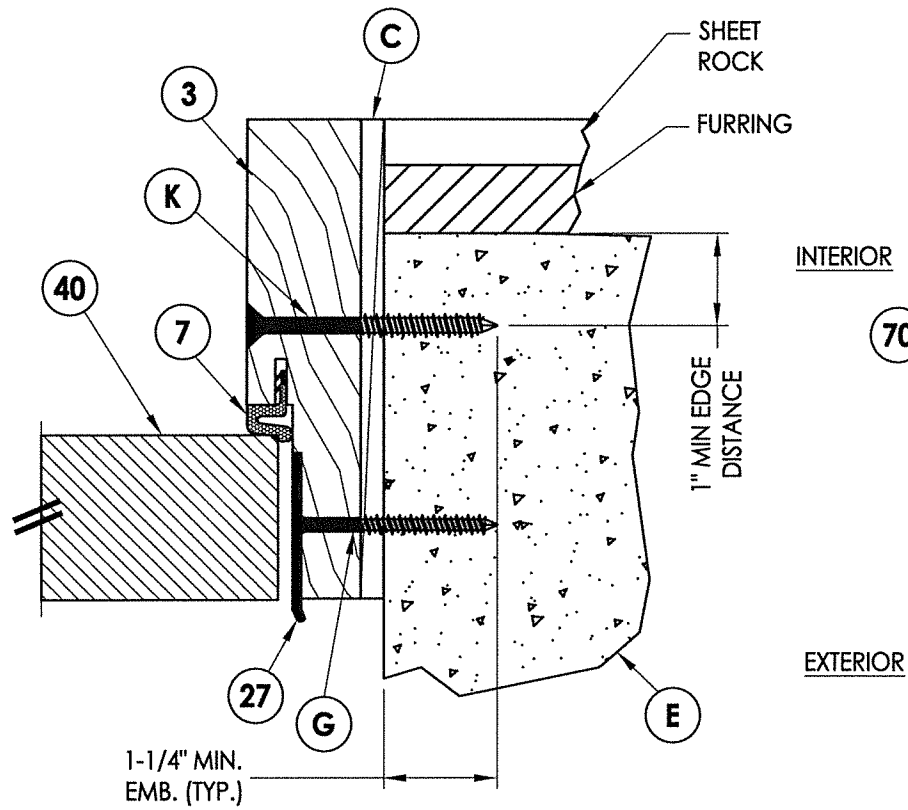
- Item #26 located 6" from each end and 3 more equally spaced (5 total).
- PVC Quarter round attached with 18 GA. brad nail 3" from each end then 8" on center thereafter.



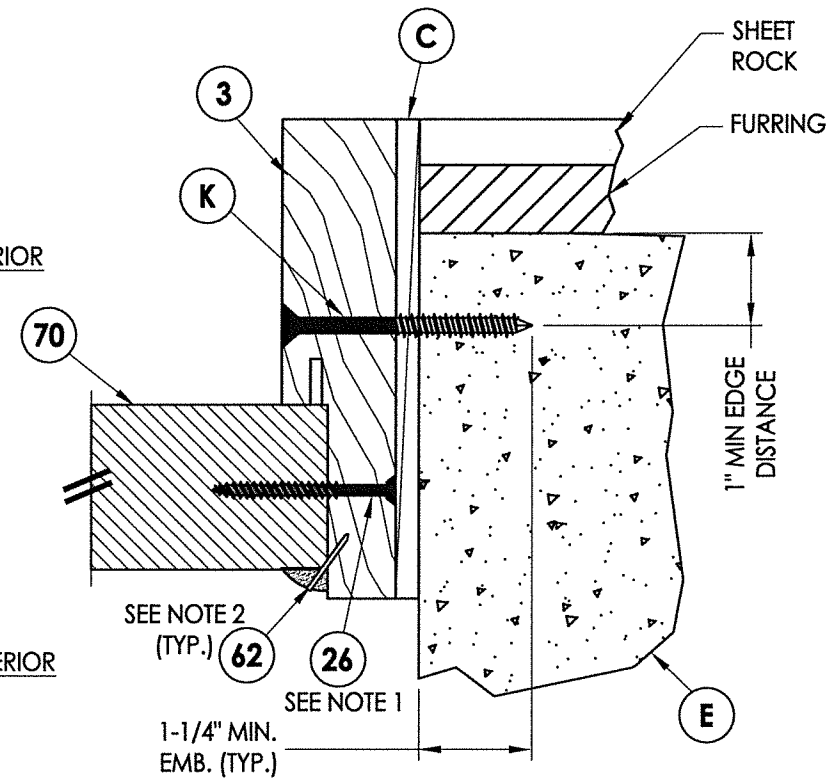
**5 VERTICAL CROSS SECTION**  
7 Outswing only



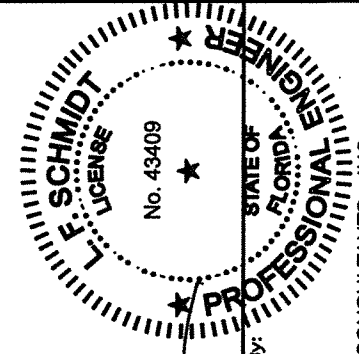
**1 HORIZONTAL CROSS SECTION**  
7 Outswing only



**2 HORIZONTAL CROSS SECTION**  
7 Outswing only



**3 HORIZONTAL CROSS SECTION**  
7 Outswing only



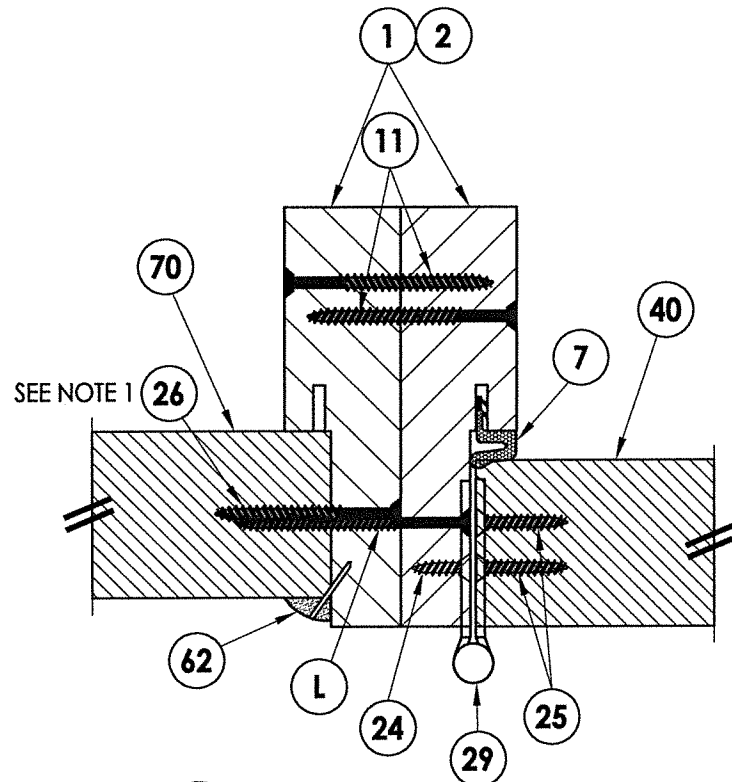
August 11, 2020  
 Documents Prepared By:  
 Lyndon F. Schmidt  
 P.E. No. 43409

**RW** BUILDING CONSULTANTS, INC.  
 P.O. Box 230, Valrico, FL 33595  
 Phone No.: 813.659.9197  
 FBPE Registry No. 9813

|  |                              |
|--|------------------------------|
| PRODUCT: TRINITY GLASS INT'L   |                              |
| PART OR ASSEMBLY: HORIZONTAL AND VERTICAL CROSS SECTIONS (DIRECT TO MASONRY) |                              |
| DATE   | REVISIONS                    |
| 2 8/11/20  | UPDATE TO 7th ED. (2020) FBC |
| 1 2/04/20  | DEFINE MODEL DESCRIPTION     |
| NO.  | DATE                         |
| DATE: 12/8/17  |                              |
| SCALE: N.T.S.  |                              |
| DWG. BY: JK  |                              |
| CHK. BY: LFS   |                              |
| DRAWING NO.: FL-25575.1  |                              |
| SHEET 7 OF 14  |                              |

**NOTE:**

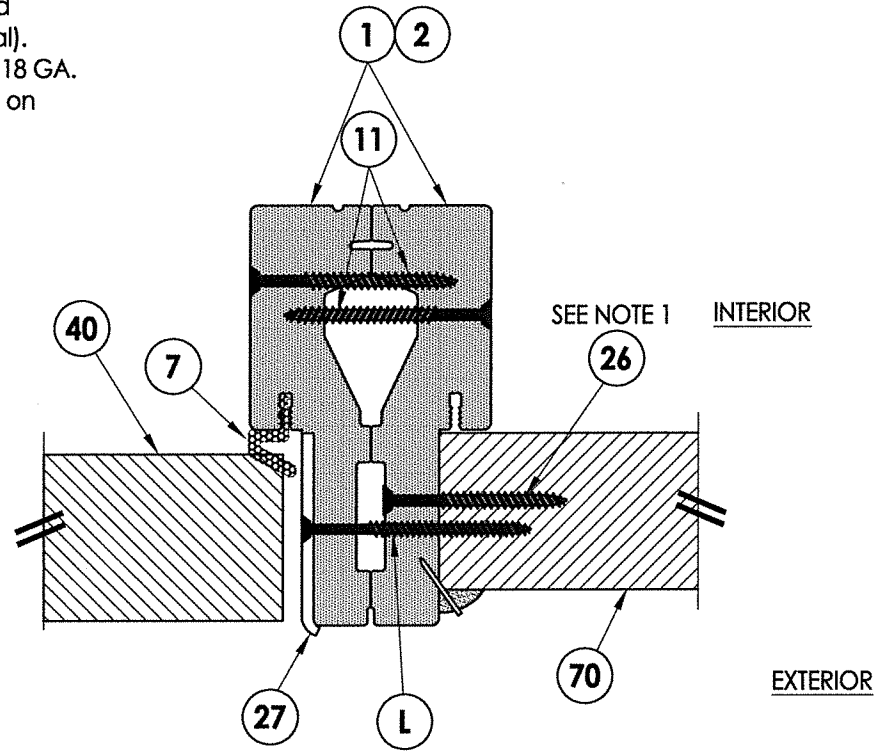
1. Item #26 located 6" from each end and 3 more equally spaced (5 total).
2. PVC Quarter round attached with 18 GA. brad nail 3" from each end then 8" on center thereafter.



**1** HORIZONTAL CROSS SECTION  
**8** Outswing shown - Inswing also approved

INTERIOR

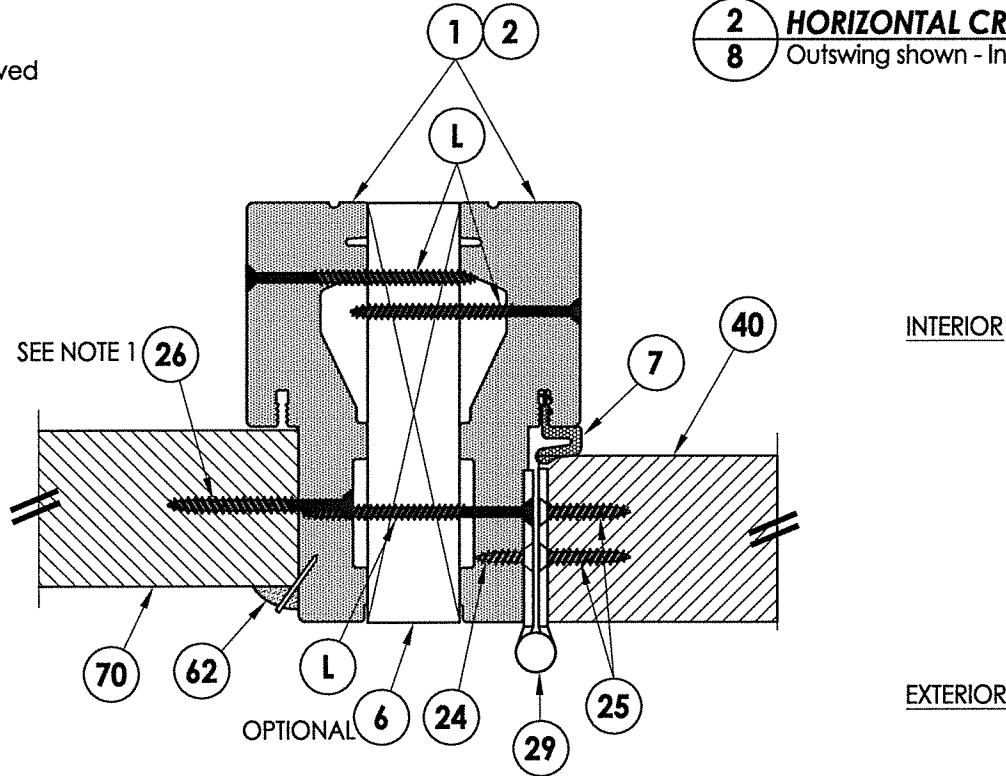
EXTERIOR



**2** HORIZONTAL CROSS SECTION  
**8** Outswing shown - Inswing also approved

INTERIOR

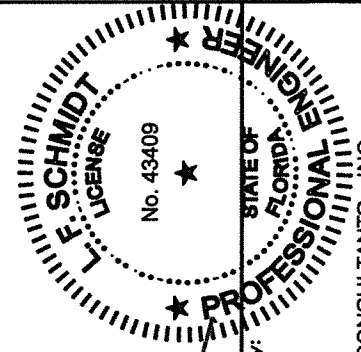
EXTERIOR



**3** HORIZONTAL CROSS SECTION  
**8** Outswing shown - Inswing also approved

INTERIOR

EXTERIOR

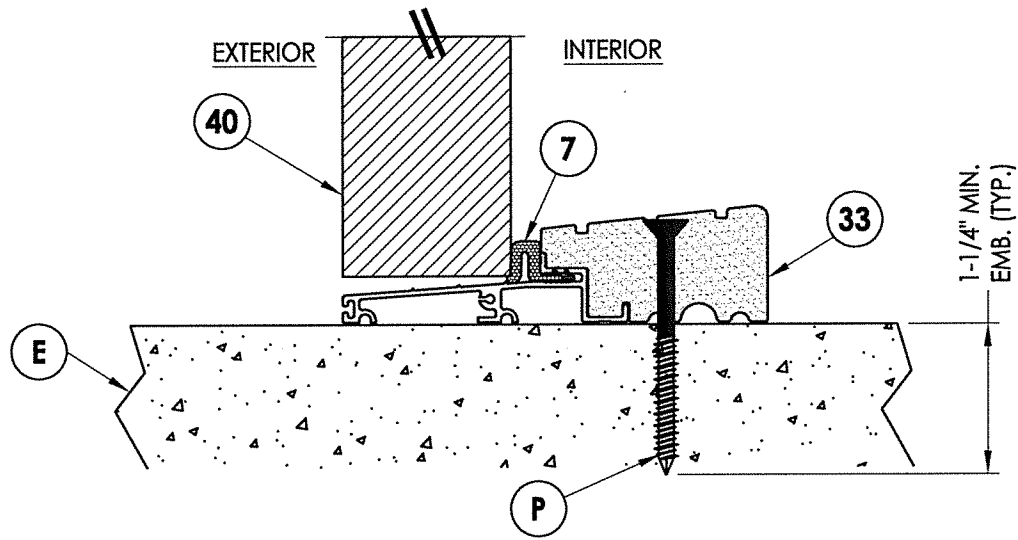


August 11, 2020  
 Documents Prepared By:  
 Lyndon F. Schmidt  
 P.E. No. 43409  
 R.W.  
 BUILDING CONSULTANTS, INC.  
 P.O. Box 230, Vairico, FL 33595  
 Phone No.: 813.659.9197  
 FBPE Registry No. 9813

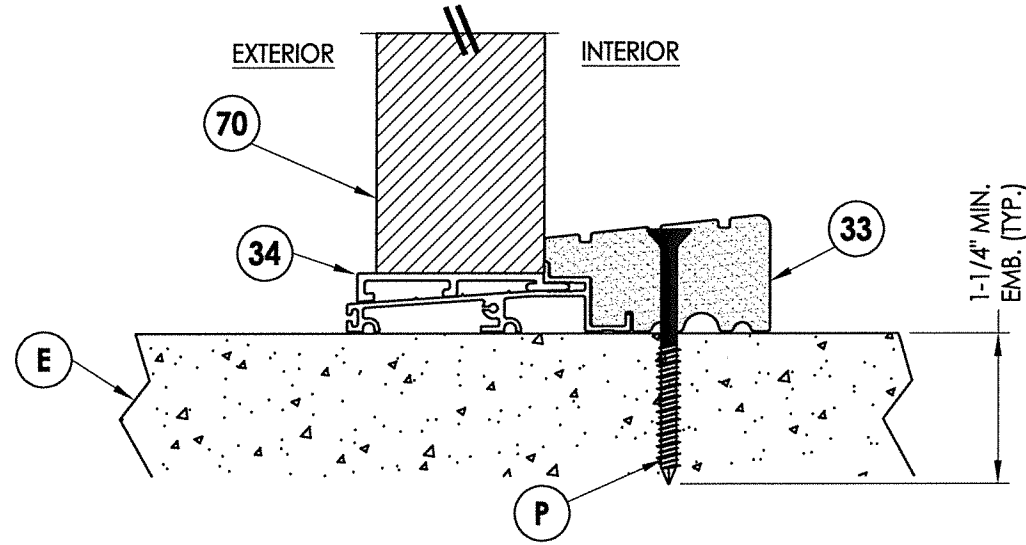
|                         |                           |                              |     |
|-------------------------|---------------------------|------------------------------|-----|
| PRODUCT:                | TRINITY GLASS INT'L       |                              |     |
| PART OR ASSEMBLY:       | HORIZONTAL CROSS SECTIONS |                              |     |
| NO.                     | DATE                      | DESCRIPTION                  | BY  |
| 2                       | 8/11/20                   | UPDATE TO 7th ED. (2020) FBC | DAC |
| 1                       | 2/04/20                   | DEFINE MODEL DESCRIPTION     | RW  |
| REVISIONS               |                           |                              |     |
| DATE: 12/8/17           |                           |                              |     |
| SCALE: N.T.S.           |                           |                              |     |
| DWG. BY: JK             |                           |                              |     |
| CHK. BY: LFS            |                           |                              |     |
| DRAWING NO.: FL-25575.1 |                           |                              |     |
| SHEET 8 OF 14           |                           |                              |     |



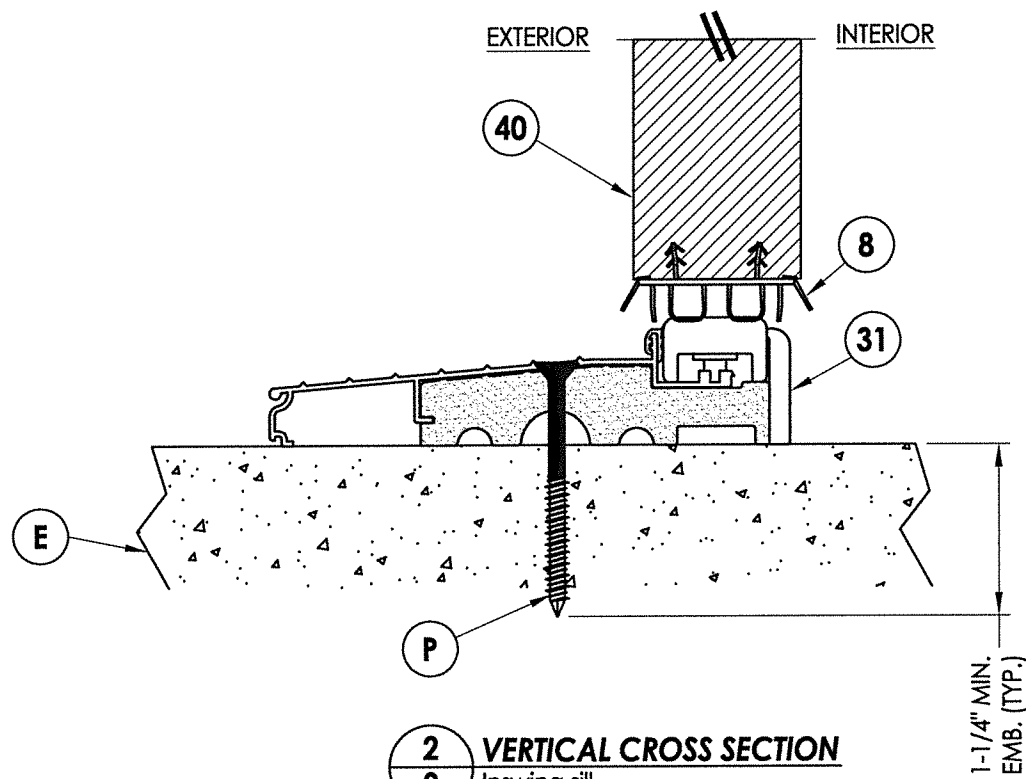
\\dc01\wbc\Clients\Trinity Glass PERMANENT\A - Florida Product Approvals\FL - 25575\C. Drawings\FL 25575 (2020)\FL-25575.1-3.dwg



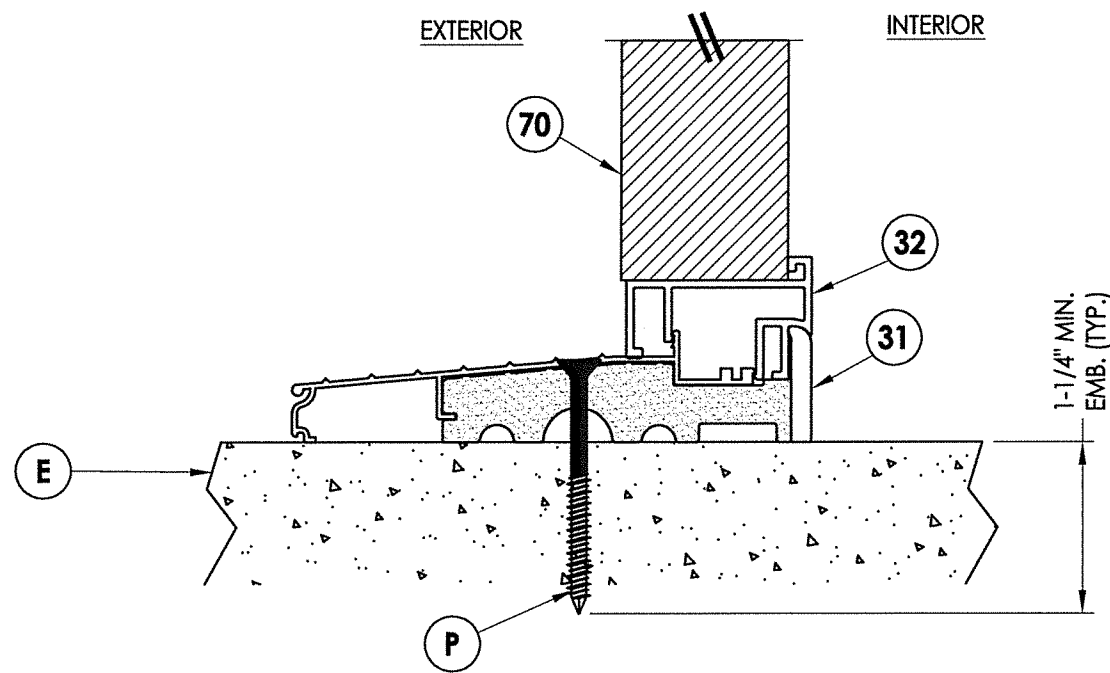
**1** VERTICAL CROSS SECTION  
**9** Outswing sill - high dam



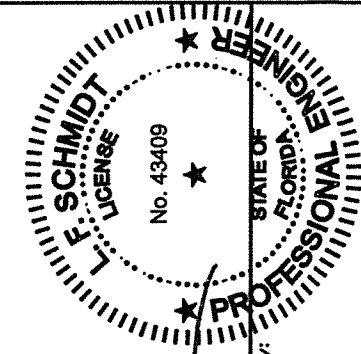
**3** VERTICAL CROSS SECTION  
**9** Outswing sill - high dam



**2** VERTICAL CROSS SECTION  
**9** Inswing sill



**4** VERTICAL CROSS SECTION  
**9** Inswing sill



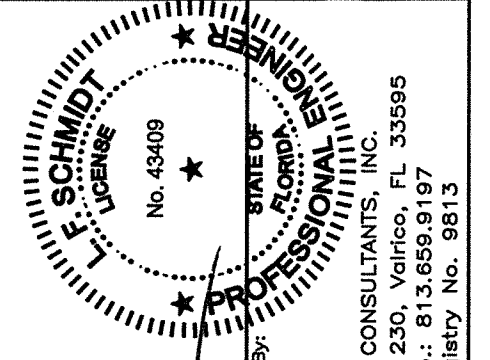
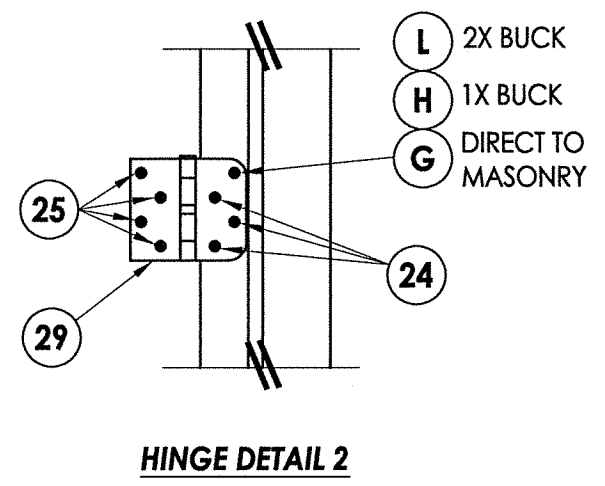
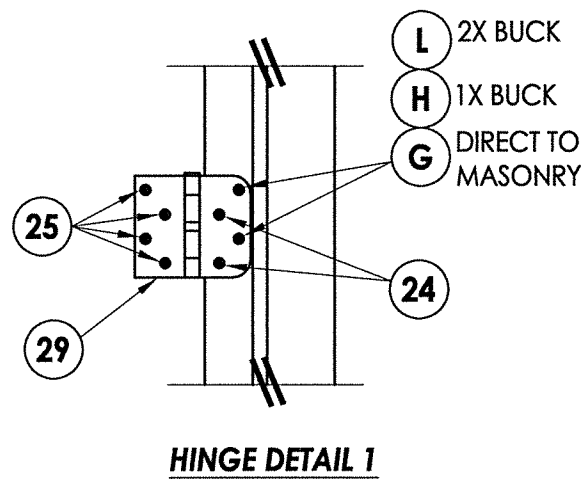
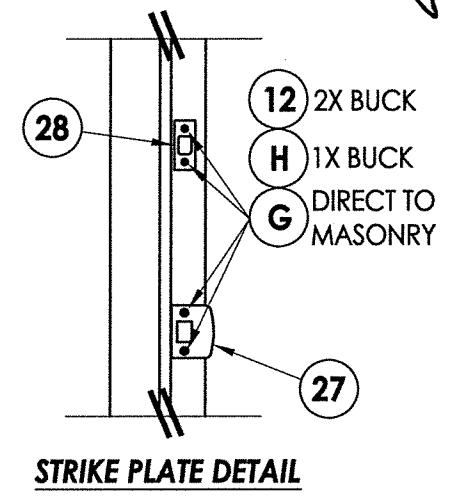
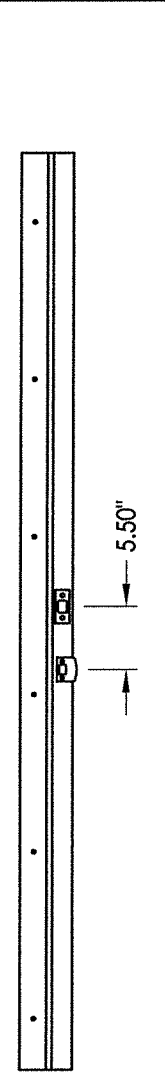
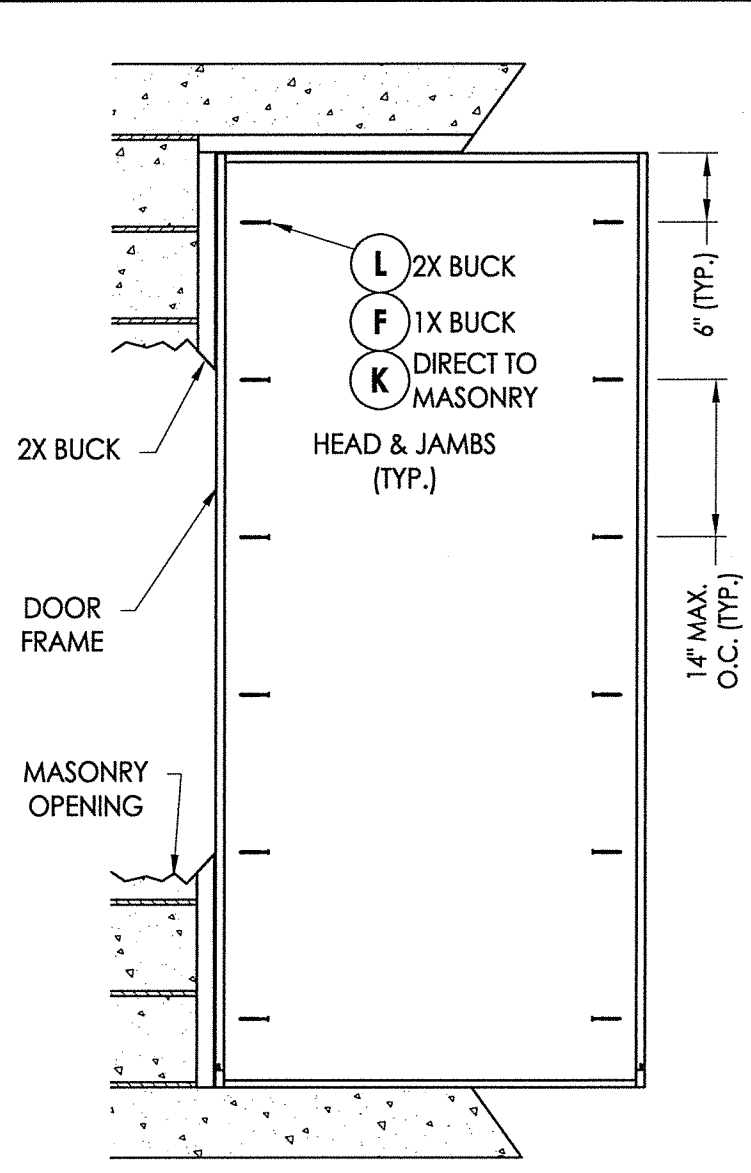
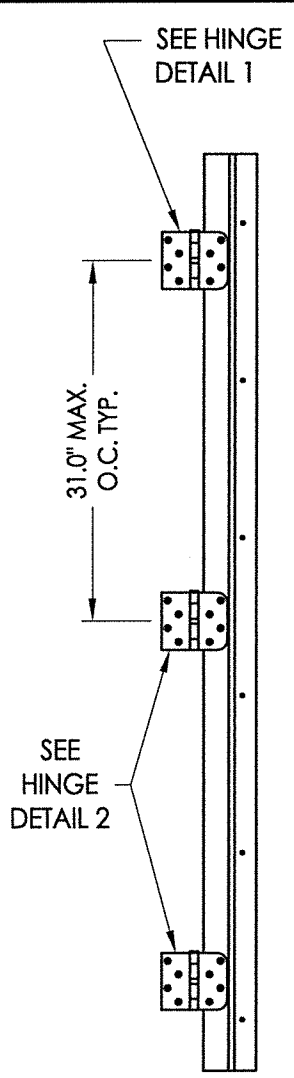
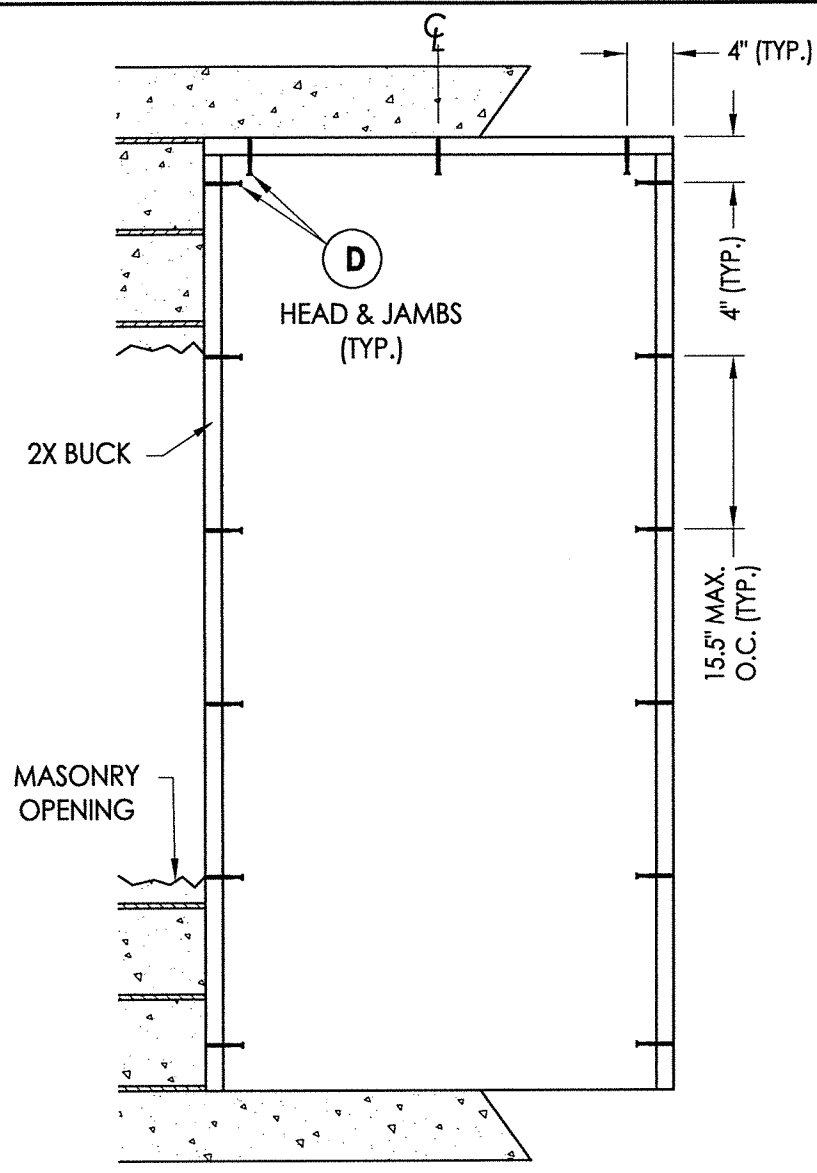
August 11, 2020  
Documents Prepared By:  
Lyndon F. Schmidt  
P.E. No. 43409

**R.W.**  
BUILDING CONSULTANTS, INC.  
P.O. Box 230, Valrico, FL 33595  
Phone No.: 813.659.9197  
FBPE Registry No. 9813

|                   |                         |
|-------------------|-------------------------|
| PRODUCT:          | TRINITY GLASS INT'L     |
| PART OR ASSEMBLY: | VERTICAL CROSS SECTIONS |
| DATE:             | 12/8/17                 |
| SCALE:            | N.T.S.                  |
| DWG. BY:          | JK                      |
| CHK. BY:          | LFS                     |
| DRAWING NO.:      | FL-25575.1              |
| SHEET             | 9 OF 14                 |

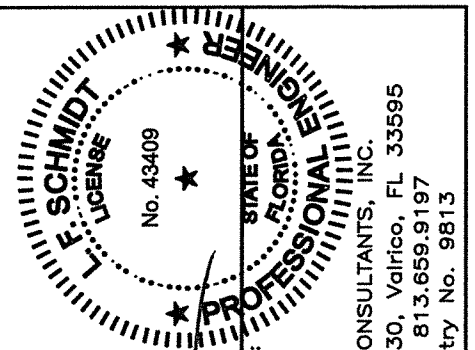
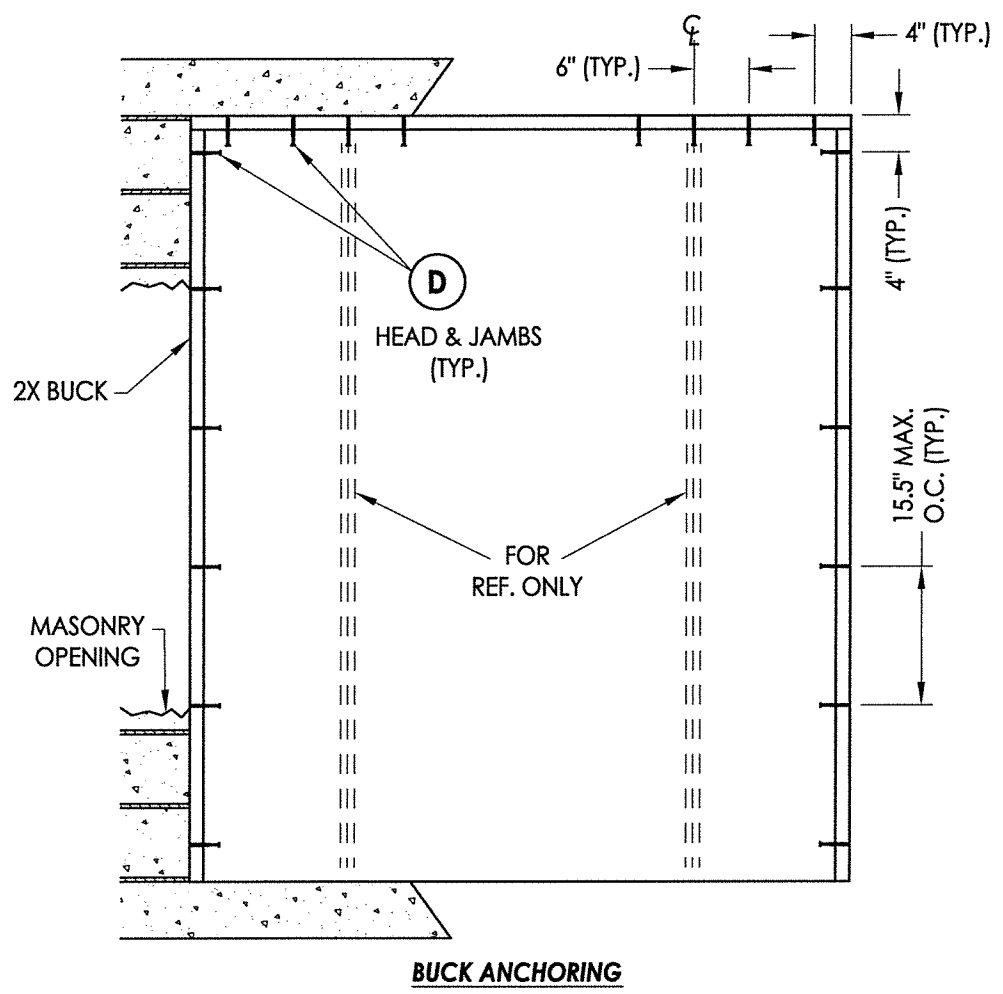
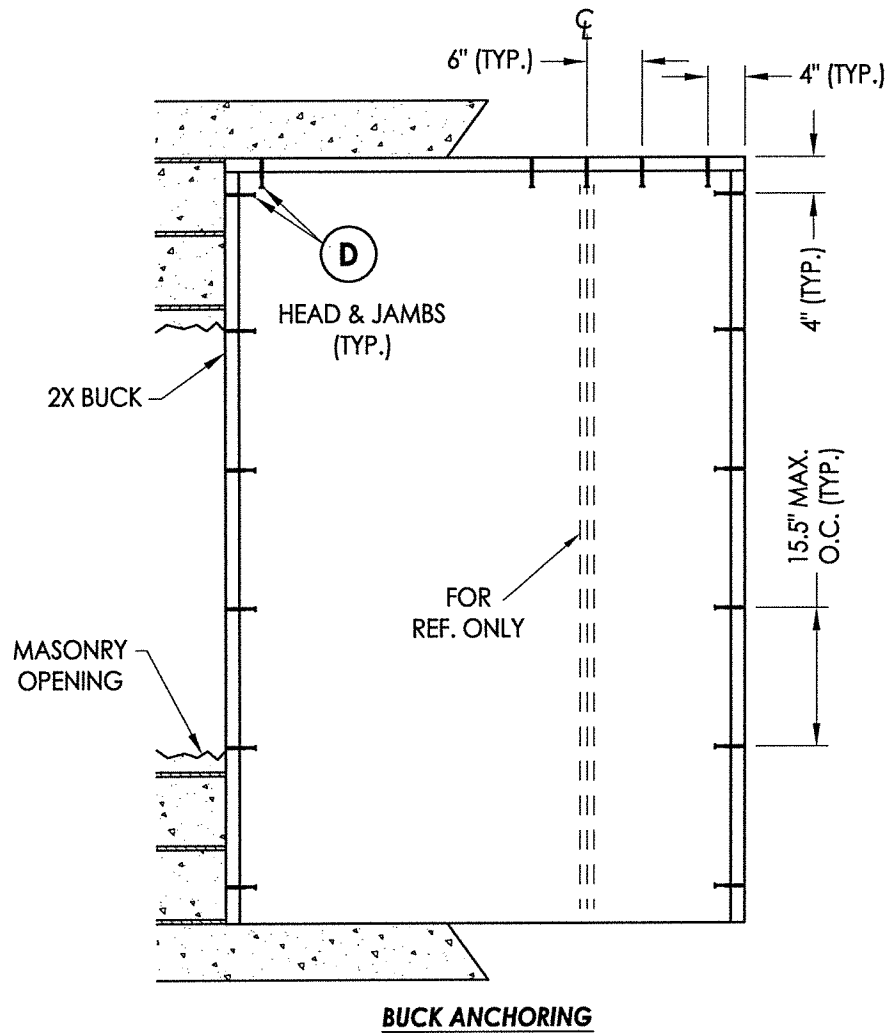
| NO. | DATE    | DESCRIPTION                  | BY  |
|-----|---------|------------------------------|-----|
| 2   | 8/11/20 | UPDATE TO 7th ED. (2020) FBC | DAC |
| 1   | 2/04/20 | DEFINE MODEL DESCRIPTION     | RW  |

\\dc01\wbc\Clients\Trinity Glass PERMANENTVA - Florida Product Approvals\FL - 25575\C. Drawings\FL 25575 (2020)\FL-25575.1-3.dwg



August 11, 2020  
 Documents Prepared By:  
 Lyndon F. Schmidt  
 P.E. No. 43409  
 RW BUILDING CONSULTANTS, INC.  
 P.O. Box 230, Valrico, FL 33595  
 Phone No.: 813.659.9197  
 FBPE Registry No. 9813

|                   |                              |
|-------------------|------------------------------|
| PRODUCT:          | TRINITY GLASS INT'L          |
| PART OR ASSEMBLY: | BUCK AND FRAME ANCHORING (X) |
| DATE:             | 12/8/17                      |
| SCALE:            | N.T.S.                       |
| DWG. BY:          | JK                           |
| CHK. BY:          | LFS                          |
| DRAWING NO.:      | FL-25575.1                   |
| SHEET             | 10 OF 14                     |



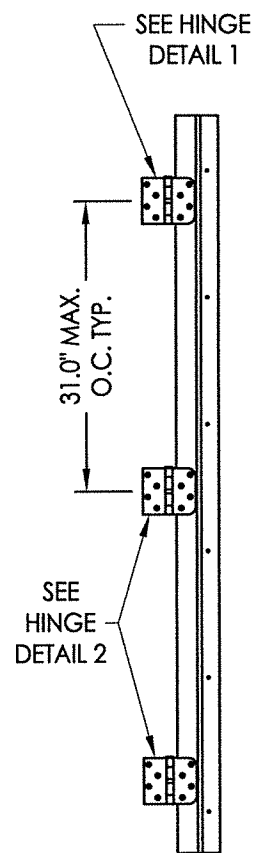
August 11, 2020  
 Documents Prepared By:  
 Lyndon F. Schmidt  
 P.E. No. 43409  
*RW*  
 BUILDING CONSULTANTS, INC.  
 P.O. Box 230, Valrico, FL 33595  
 Phone No.: 813.659.9197  
 FBPE Registry No. 9813

|                   |                              |
|-------------------|------------------------------|
| PRODUCT:          | TRINITY GLASS INT'L          |
| PART OR ASSEMBLY: | BUCK ANCHORING (OX/XO & OXO) |

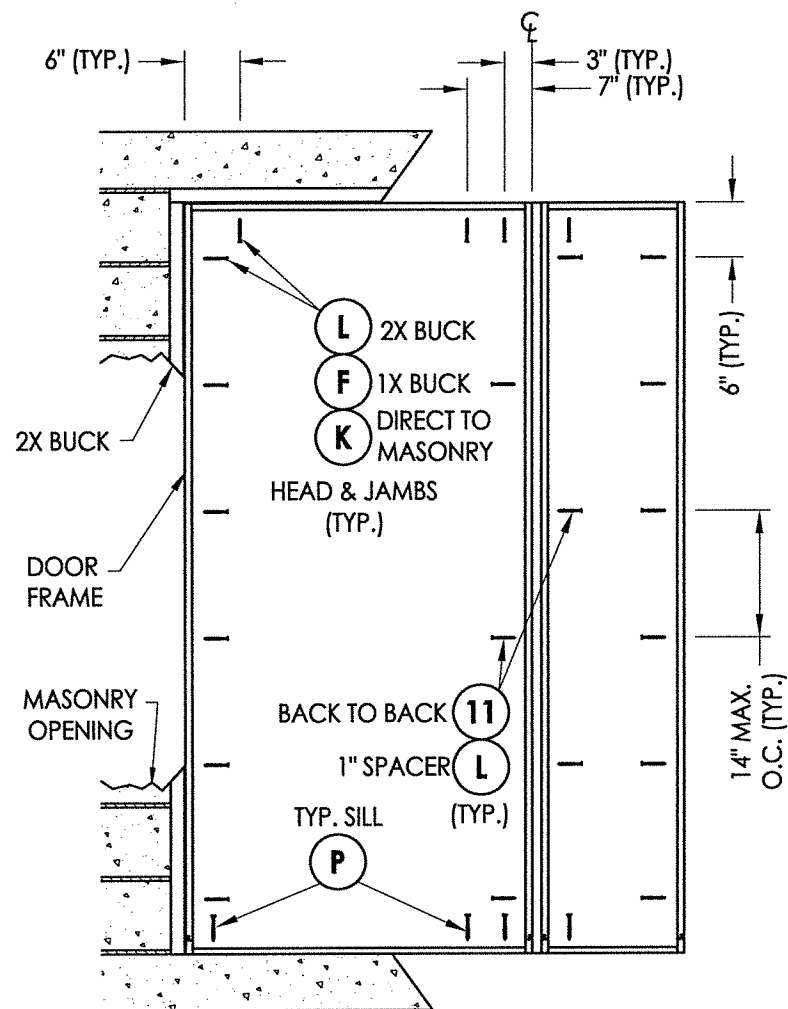
| NO. | DATE    | REVISIONS                    |
|-----|---------|------------------------------|
| 2   | 8/11/20 | UPDATE TO 7th ED. (2020) FBC |
| 1   | 2/04/20 | DEFINE MODEL DESCRIPTION     |
|     |         |                              |
|     |         |                              |

|              |            |
|--------------|------------|
| DATE:        | 12/8/17    |
| SCALE:       | N.T.S.     |
| DWG. BY:     | JK         |
| CHK. BY:     | LFS        |
| DRAWING NO.: | FL-25575.1 |
| SHEET        | 11 OF 14   |

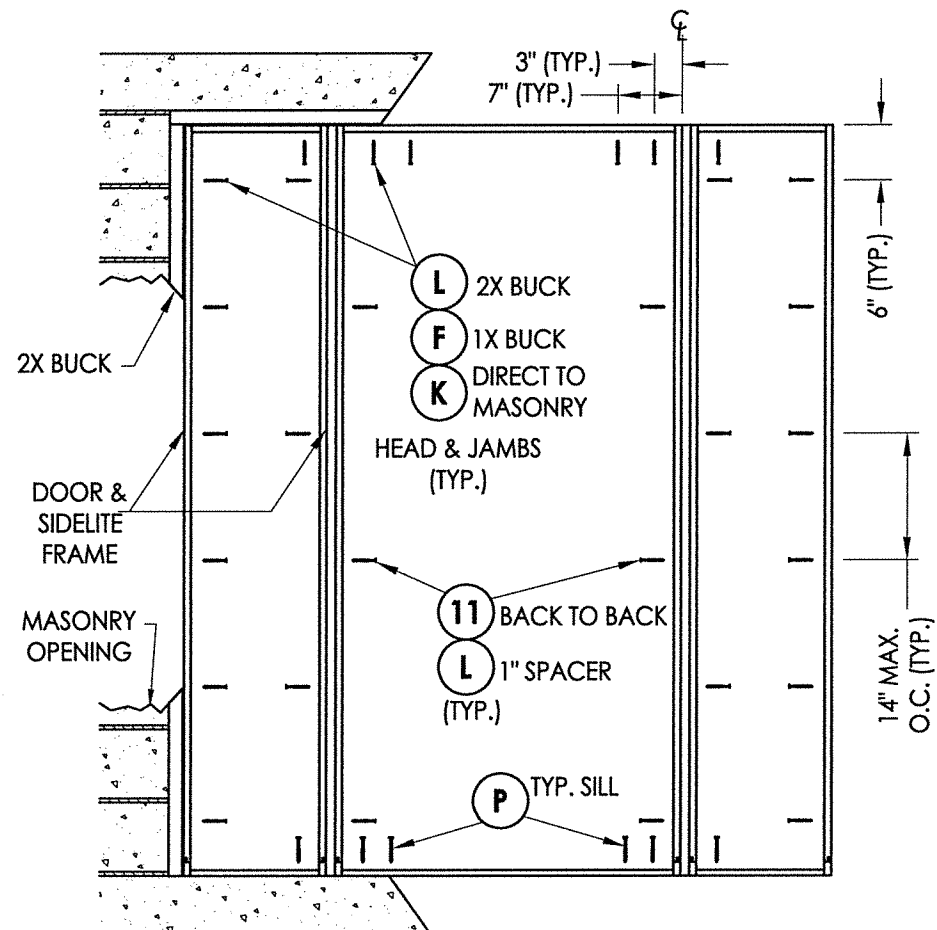
\\dc01\wbc\Clients\Trinity Glass PERMANENTVA - Florida Product Approvals\FL - 25575\C - Drawings\FL 25575 (2020)\FL-25575.1-3.dwg



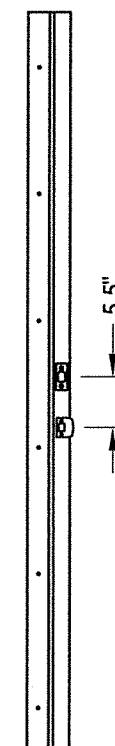
**HINGE JAMB**



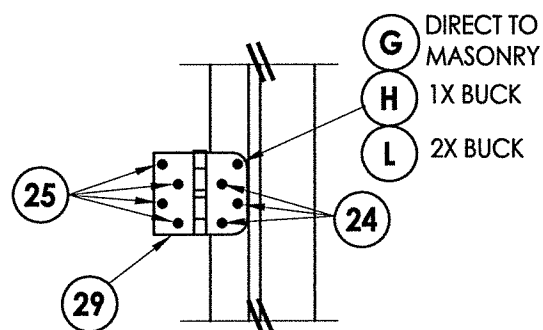
**FRAME ANCHORING**  
Masonry construction



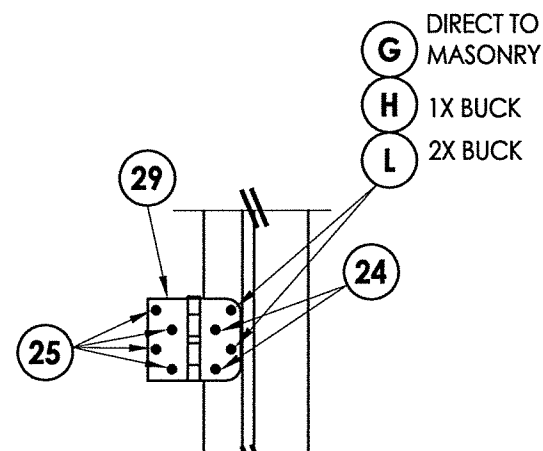
**FRAME ANCHORING**  
Masonry construction



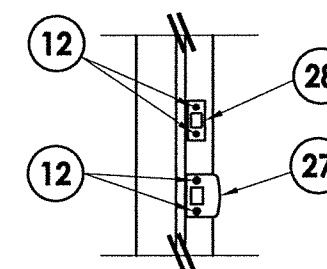
**STRIKE JAMB**



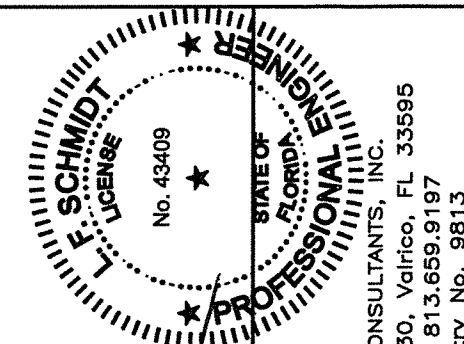
**HINGE DETAIL 2**



**HINGE DETAIL 1**



**STRIKE PLATE DETAIL**



August 11, 2020

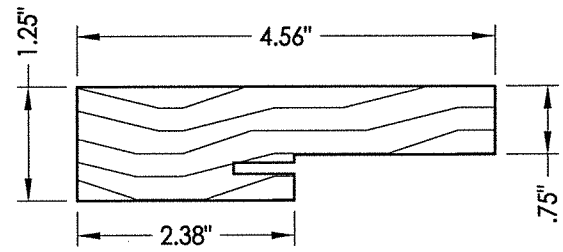
Documents Prepared By:  
Lyndon F. Schmidt  
P.E. No. 43409

**R.W.** BUILDING CONSULTANTS, INC.  
P.O. Box 230, Valrico, FL 33595  
Phone No.: 813.659.9197  
FBPE Registry No. 9813

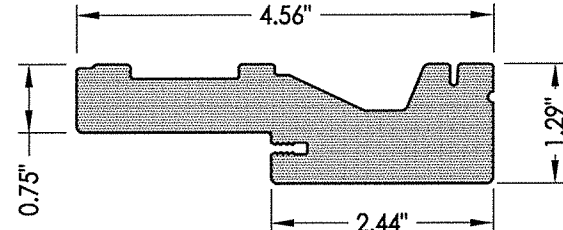
|                   |                               |         |     |
|-------------------|-------------------------------|---------|-----|
| PRODUCT:          | TRINITY GLASS INT'L           |         |     |
| PART OR ASSEMBLY: | FRAME ANCHORING (OX/XO & OXO) |         |     |
| DATE              | NO.                           | DATE    | BY  |
| 8/11/20           | 2                             | 8/11/20 | DAC |
| 2/04/20           | 1                             | 2/04/20 | RW  |
|                   |                               |         | BY  |

DATE: 12/8/17  
SCALE: N.T.S.  
DWG. BY: JK  
CHK. BY: LFS  
DRAWING NO.: FL-25575.1  
SHEET 12 OF 14

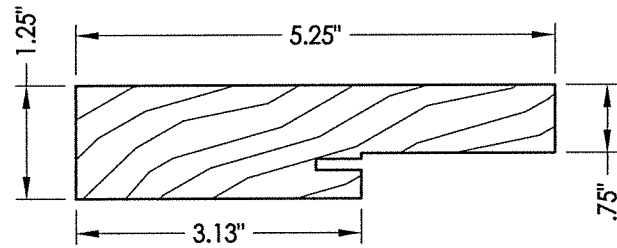




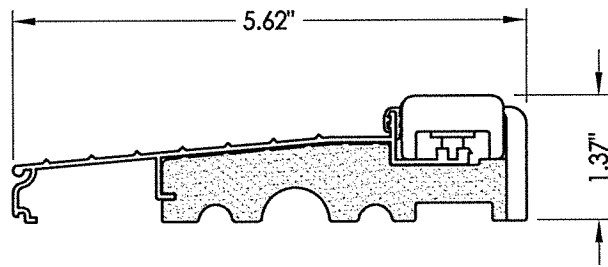
**1 HEAD AND JAMBS**  
Wood



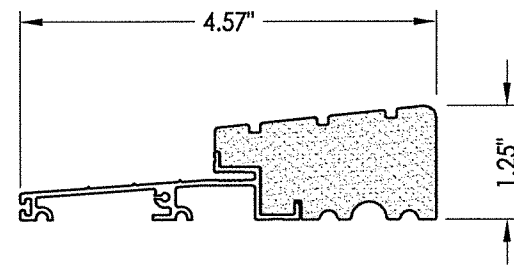
**2 HEAD AND JAMBS**  
PVC



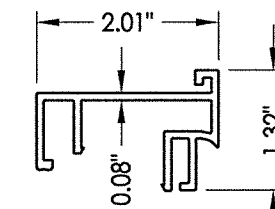
**3 HEAD AND JAMBS**  
Wood



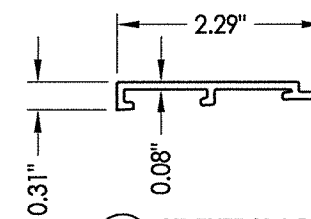
**31 INSWING THRESHOLD**



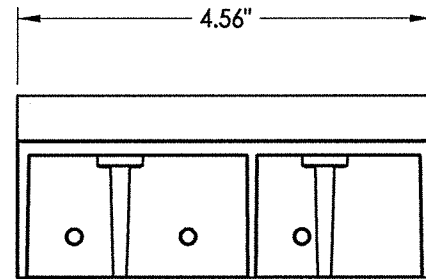
**32 OUTSWING THRESHOLD**  
High-dam



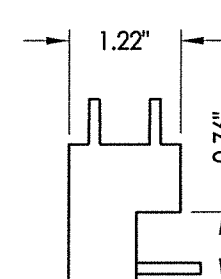
**32 SIDELITE SPACER**  
Inswing



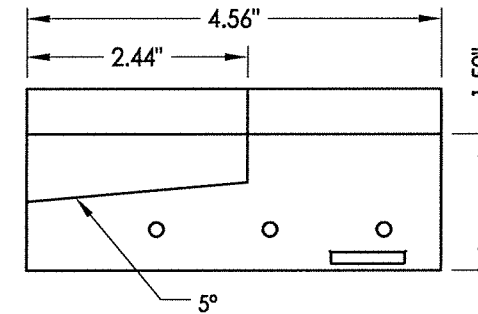
**34 SIDELITE SPACER**  
Outswing



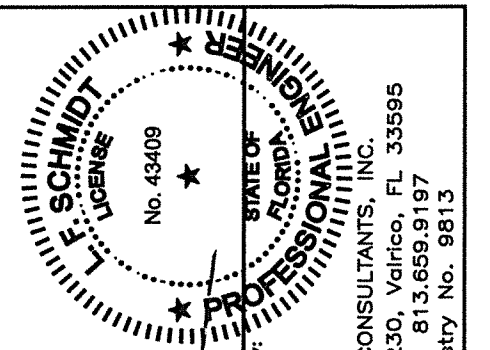
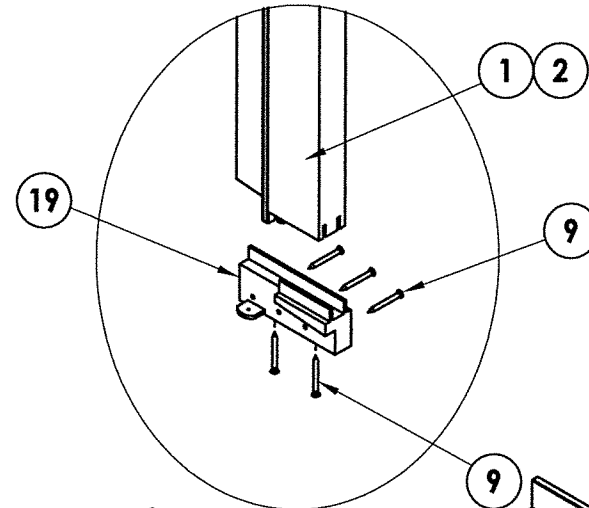
SILKEY, LEFT  
SCALE: NONE



SILKEY, RIGHT  
SCALE: NONE



**19 SILKEY DETAILS**  
Optional



August 11, 2020  
 Documents Prepared By:  
 Lyndon F. Schmidt  
 P.E. No. 43409  
 R.W. BUILDING CONSULTANTS, INC.  
 P.O. Box 230, Valrico, FL 33595  
 Phone No.: 813.659.9197  
 FBPE Registry No. 9813

|                         |     |                     |     |
|-------------------------|-----|---------------------|-----|
| PRODUCT:                |     | TRINITY GLASS INT'L |     |
| PART OR ASSEMBLY:       |     | COMPONENTS          |     |
| DATE                    | BY  | DATE                | BY  |
| 8/11/20                 | DAC | 8/11/20             | FBC |
| 2/04/20                 | RW  | 2/04/20             | RW  |
| NO. DATE                |     | REVISIONS           |     |
| DATE: 12/8/17           |     | SCALE: N.T.S.       |     |
| DWG. BY: JK             |     | CHK. BY: LFS        |     |
| DRAWING NO.: FL-25575.1 |     | SHEET 13 OF 14      |     |

\\dc01\rbw\clients\Trinity Glass PERMANENT\A - Florida Product Approvals\FL - 25575\C. Drawings\FL 25575 (2020)\FL-25575.1-3.dwg

**BILL OF MATERIALS**

| ITEM # | DESCRIPTION  | MATERIAL     |
|--------|--|--------------|
| A      | 1X BUCK SG >= 0.42   | WOOD         |
| B      | 2X BUCK SG >= 0.42   | WOOD         |
| C      | 1/4" MAX. SHIM SPACE   | -            |
| D      | 1/4" X 2-3/4" PFH DeWALT OR ITW CONCRETE SCREW   | STEEL        |
| E      | MASONRY - 3,000 PSI MIN. CONCRETE CONFORMING TO ACI 301 OR HOLLOW BLOCK CONFORMING TO ASTM C90 | CONCRETE     |
| F      | 1/4" X 3-3/4" PFH ITW CONCRETE SCREW   | STEEL        |
| G      | 3/16" X 3-1/4" PFH ITW CONCRETE SCREW  | STEEL        |
| H      | 3/16" X 2-1/4" PFH ITW CONCRETE SCREW  | STEEL        |
| K      | 1/4" X 2-3/4" PFH DeWALT CONCRETE SCREW  | STEEL        |
| L      | #10 X 2-1/2" PFH WS (1.15" MIN. EMBEDMENT)   | STEEL        |
| P      | 1/4" X 2-3/4" PFH DeWALT OR ITW CONCRETE SCREW   | STEEL        |
| 1      | HEAD & JAMB (FINGER-JOINT PINE - SG >= 0.42)   | WOOD         |
| 2      | HEAD & JAMB  | PVC          |
| 3      | HEAD & JAMB (5.25") (FINGER-JOINT PINE - SG >= 0.42)   | WOOD         |
| 7      | WEATHERSTRIP QEBD650 Q-LON   | FOAM         |
| 8      | DOOR BOTTOM SWEEP  | PVC          |
| 9      | #6 X 1-1/4 PFH DRYWALL SCREW   | STEEL        |
| 11     | #9 X 2-1/4" PFH WOOD SCREW   | STEEL        |
| 12     | #8 X 2" PFH WOOD SCREW   | STEEL        |
| 19     | SILLKEY  | ABS          |
| 24     | #9 X 5/8" PFH WS   | STEEL        |
| 25     | #9 X 1" PFH WS   | STEEL        |
| 26     | #9 X 2" PFH WS   | STEEL        |
| 27     | STRIKE PLATE   | STEEL        |
| 28     | DEADBOLT STRIKE PLATE  | STEEL        |
| 29     | 4" X 4" HINGE  | STEEL        |
| 31     | INSWING THRESHOLD ALUMINUM W/ COMPOSITE SUBSTRATE  | ALUM./ COMP. |
| 32     | SIDELITE SPACER - INSWING  | PVC          |
| 33     | OUTSWING HIGH-DAM THRESHOLD ALUMINUM W/ COMPOSITE SUBSTRATE                                    | ALUM./ COMP. |
| 34     | SIDELITE SPACER - OUTSWING   | PVC          |
| 40     | DOOR PANEL - (LIGHTHOUSE)  | -            |
| 62     | QUARTER ROUND  | PVC          |
| 70     | SIDELITE   | -            |

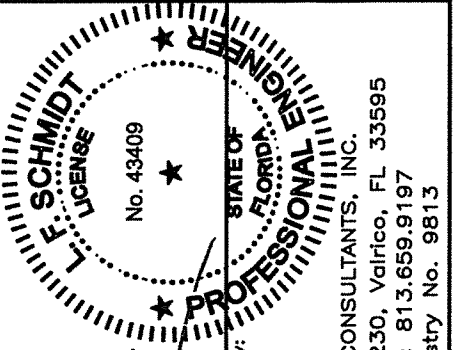
**CONCRETE ANCHOR NOTES:**

- Concrete anchor locations at the corners may be adjusted to maintain the min. edge distance to mortar joints.
- Concrete anchor locations noted as "MAX. ON CENTER" must be adjusted to maintain the min. edge distance to mortar joints, additional concrete anchors may be required to ensure the "MAX. ON CENTER" dimension are not exceeded.
- Concrete anchor table:

| ANCHOR TYPE         | ANCHOR SIZE | MIN. EMBEDMENT | MIN. CLEARANCE TO MASONRY EDGE | MIN. CLEARANCE TO ADJACENT ANCHOR |
|---------------------|-------------|----------------|--------------------------------|-----------------------------------|
| ITW BUILDEX TAPCON® | 3/16"       | 1-1/4"         | AS SHOWN                       | 1-1/2"                            |
|                     | 1/4"        | 1-1/4"         | 2"                             | 4"                                |
| DeWALT ULTRACON®    | 1/4"        | 1-1/4"         | 1"                             | 4"                                |

**WOOD SCREW INSTALLATION NOTES:**

- Maintain a minimum 5/8" edge distance, 1" end distance, & 1" o.c. spacing of wood screws to prevent the splitting of wood.



August 11, 2020  
 Documents Prepared By:  
 Lyndon F. Schmidt  
 P.E. No. 43409  
 R.W. BUILDING CONSULTANTS, INC.  
 P.O. Box 230, Valrico, FL 33595  
 Phone No.: 813.659.9197  
 FBPE Registry No. 9813

|                         |         |                              |     |
|-------------------------|---------|------------------------------|-----|
| PRODUCT:                |         | TRINITY GLASS INT'L          |     |
| PART OR ASSEMBLY:       |         | BILL OF MATERIALS            |     |
| NO.                     | DATE    | REVISIONS                    |     |
| 2                       | 8/11/20 | UPDATE TO 7th ED. (2020) FBC | DAC |
| 1                       | 2/04/20 | DEFINE MODEL DESCRIPTION     | RW  |
|                         |         |                              | BY  |
| DATE: 12/8/17           |         |                              |     |
| SCALE: N.T.S.           |         |                              |     |
| DWG. BY: JK             |         |                              |     |
| CHK. BY: LFS            |         |                              |     |
| DRAWING NO.: FL-25575.1 |         |                              |     |
| SHEET 14 OF 14          |         |                              |     |